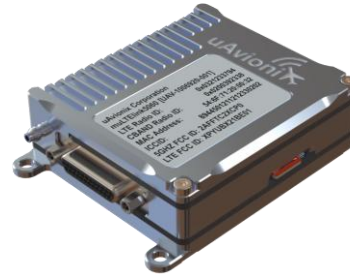


Multiple Link Airborne Radio System

Overview

muLTElink is a multiple link airborne radio system that combines a DO-377A Link Executive Manager (LEM) with integrated LTE and C-Band command and control (C2) radios plus support for an external ISM C2 radio. muLTElink connects to an autopilot via a transparent RS232 serial interface. muLTElink is plug and play with the SkyLink915 ISM Band CNPC radio and supports SATCOM/ethernet interface radios. It also streamlines platform integration by automatically registering aircraft with SkyLine Cloud Managed BVLOS service.



Features

- Transmits and receives simultaneously on a available links, offering multi-band path diversity.
- Integrated airborne Link Executive Manager (LEM) that complies with DO-377A.
- Transparent, protocol agnostic, RS232 autopilot telemetry interface.
- Integrated Global LTE Cat 1 radio exclusively for Command Non-Payload Control (CNPC).
- Integrated SkyLink5060Micro C-Band airborne radio system (ARS).
- Optional external SkyLink915 ISM Band airborne radio system (ARS).
- Optional external SATCOM or DHCP WAN/LTE device.
- User accessible nano SIM card.
- Automatic aircraft registration with SkyLine Cloud Managed BVLOS Service.
- Ethernet reprogramming and ARS configuration interface
- Environmental DO-160G
- Software DO-178C Level C
- Complex Hardware DO-254 Level C

Regulatory

- SkyLink FCC 47 CFR Part 15.247 ID: 2AFFTC2XCP0 (in progress)
- LTE FCC ID: XPYUBX21BE01

Technical Specifications

Parameter	Value
Input Voltage / Power	9-31 VDC
Size	19 x 51 x 71 mm
Weight	100 grams
Operating Temp	-45 to 70°C
C-Band Radio	
Band	C-Band: 5030 to 5091 MHz
Transmit Power	100 mW
Receiver Sensitivity	-113.5 dBm
Bandwidth	210 kHz
Doppler Capture Range	±12.5 kHz
LTE Radio	
Service	Global LTE Cat 1
LTE FDD Bands	1, 2, 3, 4, 7, 8, 12, 13, 18, 19, 20, 26, 28
LTE TDD Bands	38, 39, 40, 41
SIM	Global IoT eSIM
External Interfaces	
Timing/Position	
Interface	RS-232 115200 bps
Position Protocol	NMEA 0183
UTC	1 PPS Time Pulse
External CNPC User	
Interface	RS-232 57600 bps
Protocol	Binary, Transparent
External CNPC Control	
Interface	RS-232 115200 bps
Protocol	UCP
External Ethernet Radio	
Interface	JST.GH
Protocol	Ethernet
Autopilot Telemetry	
Interface	RS-232 or TTL 57600 bps
Protocol	Binary, Transparent
Environmental	
DO-160G	Temperature Cat B2

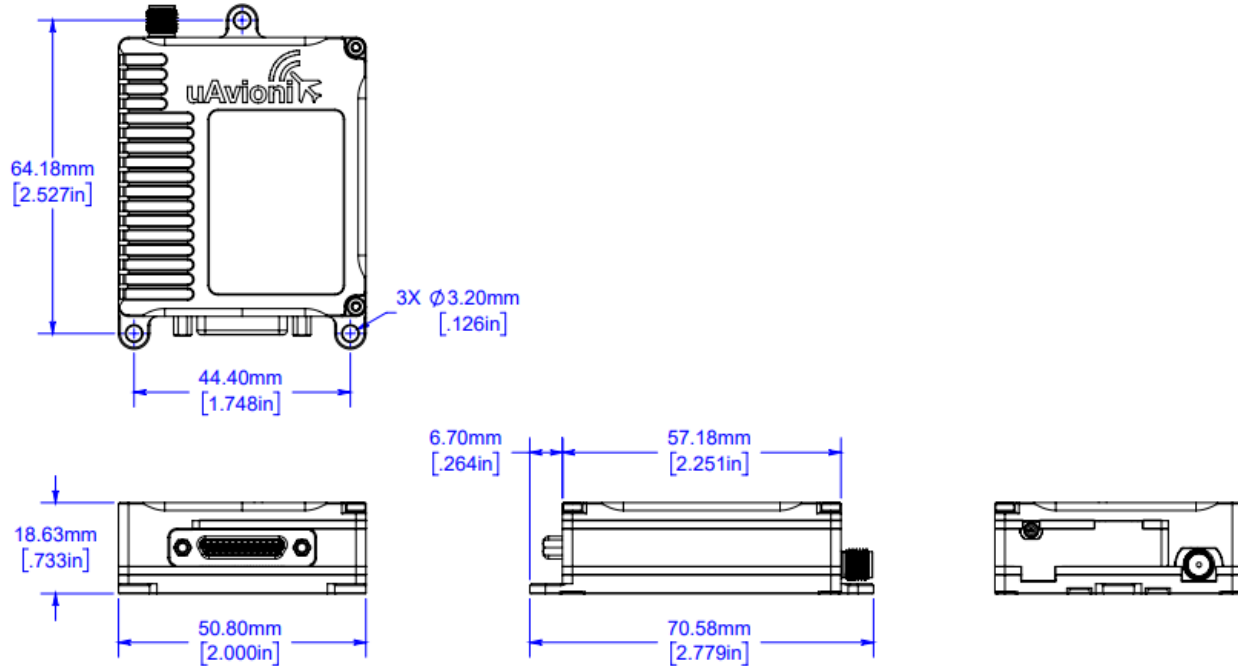
The following required statement from the Federal Communications Commission (FCC) applies to United States based entities with the exception of direct sales to the U.S. Government and units directly exported by uAvionix: This device has not been authorized as required by the rules of the Federal Communications Commission. This device is not, and may not be, offered for sale or lease, or sold or leased, until authorization is obtained.

uAvionix reserves the right to alter product, services offerings, specifications, and pricing at any time without notice.

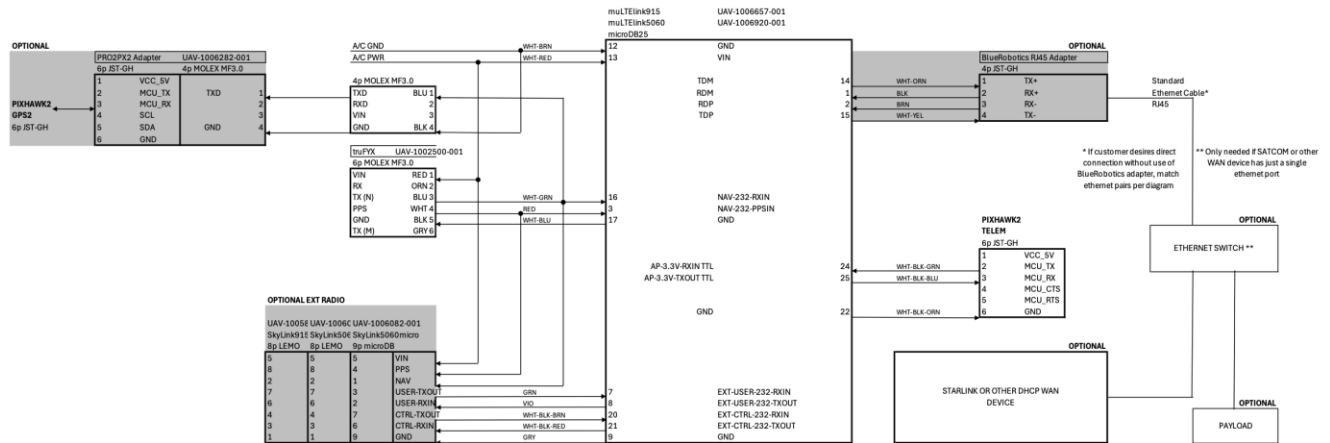
© Copyright 2022 uAvionix, all rights reserved. www.uavionix.com

Multiple Link Airborne Radio System

Mechanical Specifications



Electrical Specifications



The following required statement from the Federal Communications Commission (FCC) applies to United States based entities with the exception of direct sales to the U.S. Government and units directly exported by uAvionix: This device has not been authorized as required by the rules of the Federal Communications Commission. This device is not, and may not be, offered for sale or lease, or sold or leased, until authorization is obtained.

uAvionix reserves the right to alter product, services offerings, specifications, and pricing at any time without notice.

© Copyright 2022 uAvionix, all rights reserved. www.uavionix.com