

## Multiple Link Airborne Radio System

### Overview

muLTElink is a multiple link airborne radio system that combines a DO-377A Link Executive Manager (LEM) with integrated LTE and ISM command and control (C2) radios plus support for an external DO-362A C-Band C2 radio. muLTElink connects to an autopilot via a transparent RS232 serial interface. muLTElink is plug and play the SkyLink5060 C-Band CNPC radio and supports SATCOM/ethernet interface radios. It also streamlines platform integration by automatically registering aircraft with SkyLine Cloud Managed BVLOS service.

### Features

- Transmits and receives simultaneously on all available links, offering multi-band path diversity.
- Integrated airborne Link Executive Manager (LEM) that complies with DO-377A.
- Transparent, protocol agnostic, RS232 autopilot telemetry interface.
- Integrated Global LTE Cat 1 radio exclusively for Command Non-Payload Control (CNPC).
- Integrated SkyLink915 ISM airborne radio system (ARS).
- Optional external SkyLink5060 or SkyLink5060Micro C-Band ARS.
- Optional external SATCOM or DHCP WAN/LTE device.
- User accessible nano SIM card.
- Automatic aircraft registration with SkyLine Cloud Managed BVLOS Service.
- Ethernet reprogramming and ARS configuration interface
- Environmental DO-160G
- Software DO-178C Level C
- Complex Hardware DO-254 Level C

### Regulatory

- microLink FCC 47 CFR Part 15.247 ID: 2AFFTC2XISM
- LTE FCC ID: XPYUBX21BE01



### Technical Specifications

Parameter	Value
Part Number	UAV-1006657-001
Input Voltage / Power	9-31 VDC, 1.7 W Average
Size	14 x 51 x 71 mm
Weight	65 grams
Operating Temp	-45 to 70°C
<b>microLink Radio</b>	
Band	902-928 MHz ISM Band
Architecture	2X MIMO Radio Diversity
Transmit Power	1 W (4 W IEIRP)
Spreading	Code and Frequency
Bandwidth	200 kHz
Sensitivity	-118 dBm
<b>LTE Radio</b>	
Service	Global LTE Cat 1
LTE FDD Bands	1, 2, 3, 4, 7, 8, 12, 13, 18, 19, 20, 26, 28
LTE TDD Bands	38, 39, 40, 41
SIM	Global IoT eSIM
<b>External Interfaces</b>	
<b>Timing/Position</b>	
Interface	RS-232 115200 bps
Position Protocol	NMEA 0183
UTC	1 PPS Time Pulse
<b>External CNPC User</b>	
Interface	RS-232 57600 bps
Protocol	Binary, Transparent
<b>External CNPC Control</b>	
Interface	RS-232 115200 bps
Protocol	UCP
<b>External Ethernet Radio</b>	
Interface	JST.GH
Protocol	Ethernet
<b>Autopilot Telemetry</b>	
Interface	RS-232 57600 bps
Protocol	Binary, Transparent
<b>Environmental</b>	
DO-160G	Temperature Cat B2

The following required statement from the Federal Communications Commission (FCC) applies to United States based entities with the exception of direct sales to the U.S. Government and units directly exported by uAvionix: This device has not been authorized as required by the rules of the Federal Communications Commission. This device is not, and may not be, offered for sale or lease, or sold or leased, until authorization is obtained.

uAvionix reserves the right to alter product, services offerings, specifications, and pricing at any time without notice.

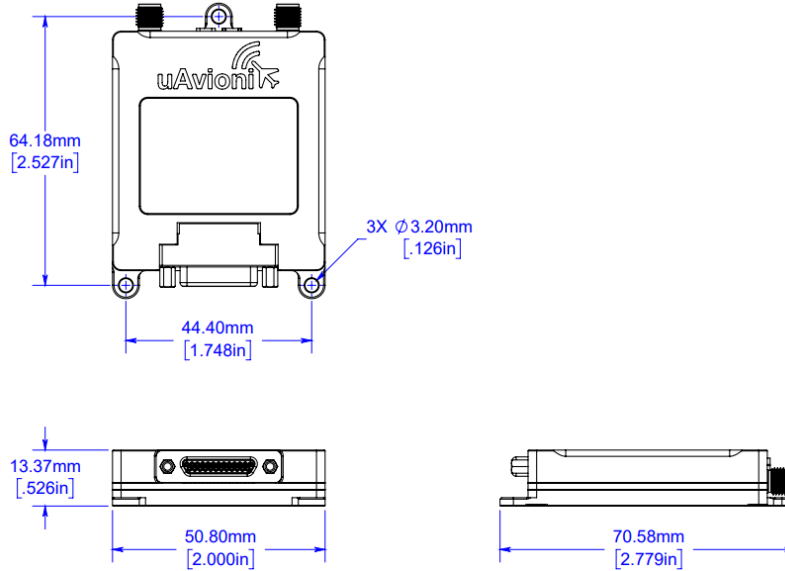
© Copyright 2022 uAvionix, all rights reserved. [www.uavionix.com](http://www.uavionix.com)



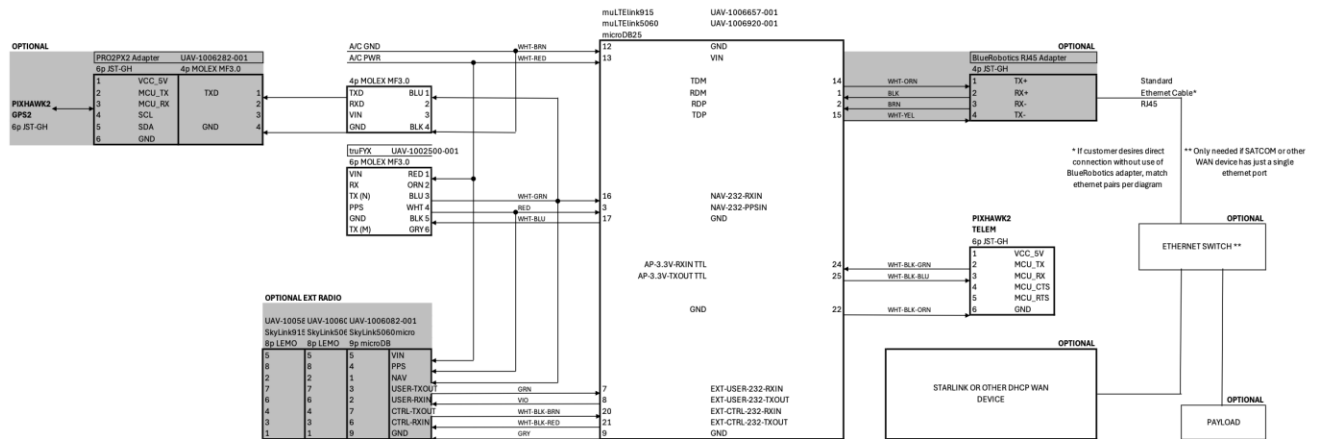
# muLTElink915

## Multiple Link Airborne Radio System

### Mechanical Specifications



### Electrical Specifications



The following required statement from the Federal Communications Commission (FCC) applies to United States based entities with the exception of direct sales to the U.S. Government and units directly exported by uAvionix: This device has not been authorized as required by the rules of the Federal Communications Commission. This device is not, and may not be, offered for sale or lease, or sold or leased, until authorization is obtained.

uAvionix reserves the right to alter product, services offerings, specifications, and pricing at any time without notice.

© Copyright 2022 uAvionix, all rights reserved. [www.uavionix.com](http://www.uavionix.com)