

EU Declaration of Conformity (DoC)

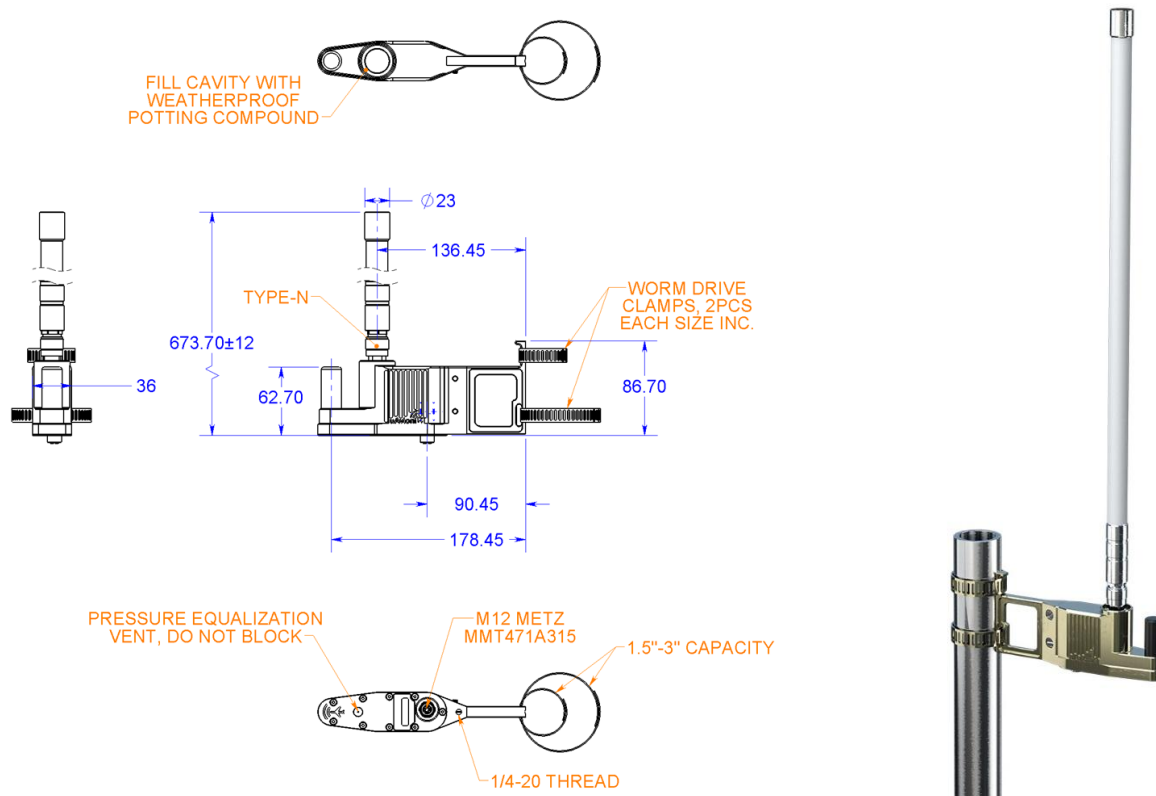
Hereby we,

Name of manufacturer: uAvionix Corporation
 Address: 880 Harrison St. Suite 185
 Zip code & City: Leesburg, VA 20175
 Country: USA
 Telephone Number: +1 (844) 827-2372

declare that this DoC is issued under our sole responsibility and that this product:

Product description: ADS-B receiver
 Type designation(s): pingStation 3 UAV-1005754-001
 Trademark: uAvionix
 Batch/Serial number: _____

Object of the declaration (further identification of the radio equipment allowing traceability; it may include a color image for the identification of the radio equipment):



is in conformity with the relevant Union harmonization legislation:

Radio Equipment directive: 2014 / 53 / EU
 and other Union harmonization legislation where applicable:

with reference to the following standards applied:



EN 61000-4-2:2008 (edition 2.0, 2008-12)

EN 61000-4-3:2020 (edition 4.0, 2020-09)

EN 301 489-1 V2.2.3 (2019-11), DC power

RTCA/DO-260B (MTL Minimum Trigger Level)

RTCA/DO-282B (MTL Minimum Trigger Level)

IEC 62368-1:2018

IEC 60529 (IP67)

Description of accessories and components, including software, which allow the radio equipment to operate as intended and covered by the DoC:
pingStation 3 to be used with a PoE ethernet switch.

Signed for and on behalf of:

Chicago, IL
July 30, 2025

Ryan C. Braun
COO
uAvionix Corporation

A handwritten signature in black ink that reads "Ryan C. Braun". The signature is written in a cursive, flowing style.