

Overview

SkyEcho is a portable ADS-B IN/OUT transceiver approved by the UK CAA and Australia’s CASA as an Electronic Conspicuity Device (ECD). SkyEcho transmits your aircraft position, altitude, course, and speed on 1090MHz ADS-B, enhancing your ability to ‘See, BE SEEN, and Avoid’ other aircraft. Configurable as a transmitter or receiver only, SkyEcho transmits 1090ES ADS-B where transmitting electronic conspicuity devices are allowed (UK and Australia), while receiving 1090ES ADS-B, 978MHz ADS-B (where available), or FLARM® (in Europe). SkyEcho exceeds the minimum capability required for a UK CAA CAP 1391 ECD and Australia’s CASA 20:18 EC device.

SkyEcho includes a TSO certified GPS and barometric altimeter, providing accurate and high integrity position data to you, as well as surrounding traffic and Air Traffic Control.

SkyEcho is also able to receive Weather, Flight Information Services (FIS) and Traffic Information Services (TIS) over 978MHz UAT where available.

Features

- Reports surrounding aircraft positions in real time to your Electronic Flight Bag (EFB) application
- Transmits ADS-B on 1090MHz and meets MOPS DO-260B Class A0 25W output power
- Integrated TSO Certified uAvionix FYX SIL 1 GPS
- Integrated Barometer for Pressure Altitude
- GDL90 traffic reports over Wi-Fi
- FLARM Compatible in Europe when paired with a compatible EFB application.

Accessories

- Window RAM Mount
- Soft Case
- USB-C Charging Cable (USB-A to USB-C)

Regulatory

- Approved CAP 1391 Intermediate ECD
- Approved under CASA 20:18 with CASA statement of compliance for EC device



| Specification | Value |
|---|-------------------------------------|
| Operating Time | 12 hours |
| Size | 57x82x30mm |
| Weight | 200 grams |
| Source Integrity Level (SIL) | 1 |
| System Design Assurance (SDA) | 1 (can be set to 0 or 1 by user) |
| Operating Temp | -45 to 70°C |
| Transmitter | |
| Frequency | 1090MHz ±1MHz |
| Transmit Power | 20W Nominal |
| Spectral Perf. | DO-260B DF-18 |
| Receiver | |
| 1090 Performance | -93 to 0dBm |
| 978 Performance | -103 to 0dBm |
| WAAS GPS | |
| Augmentation | SBAS |
| Sensitivity | -167dBm |
| Altimeter | |
| Range | -1000 to 60,000ft |
| Interfaces | |
| Wi-Fi GDL 90 5 simultaneous connections | |
| 802.11 b/g/n 2.4GHz | |
| USB-A to USB-C charging cable | |

Compatibility

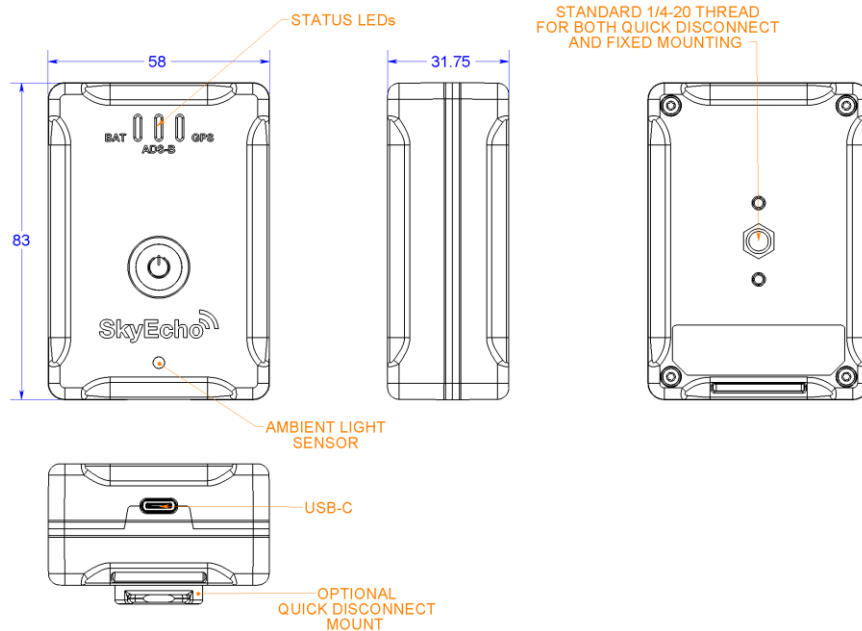
SkyEcho is compatible with your favorite Electronic Flight Bag (EFB) application which accepts the GDL-90 standard protocol. This includes ForeFlight Mobile, SkyDemon, EasyVFR, AirMate, OzRunways, AvPlan EFBs, and many others. FLARM® reception requires a FLARM® capability to be provided by the EFB application. FLARM® is currently only compatible in Europe with ForeFlight Mobile, SkyDemon, EasyVFR, and AirMate EFB applications.



Accessories

The full SkyEcho kit is inclusive of a RAM® suction cup mount, soft case, and USB-C charging cable.

Mechanical Specification



The following required statement from the Federal Communications Commission (FCC) applies to United States based entities with the exception of direct sales to the U.S. Government and units directly exported by uAvionix:

This device has not been authorized as required by the rules of the Federal Communications Commission. This device is not, and may not be, offered for sale or lease, or sold or leased, until authorization is obtained.

uAvionix reserves the right to alter product, services offerings, specifications, and pricing at any time without notice.

© Copyright 2020 uAvionix, all rights reserved. www.uavionix.com Rev E