

Overview

Trakr is an ultra-low Size, Weight and Power (SWaP) transmitter that, when attached to UAS, provides real-time position data over ISM band. This data—captured by the secure and private Trakr ecosystem—helps prevent low altitude airborne collisions and enables UAS operational reporting.

Trakr broadcasts in the 915 MHz ISM band - with frequency hopping between 902 and 928 MHz - to uniquely identify your UAS and transmit its GPS coordinates and altitude. This signal can be received by permanent or semi-permanent TrakrStation installations, or by mobile TrakrStationLTE units used by your field operations teams.

Positional data from one or more Trakr devices is transmitted securely and privately to the cloud. uAvionix's FlightLine application displays the data in real time, helping to prevent UAS-to-UAS collisions.

FlightLine also displays high-quality ADS-B information from cooperative aircraft. This aids in low-altitude traffic deconfliction and ensures compliance with FAA UAS regulations.

FlightLine supports post-operation reporting of Trakr flight data for regulatory inspections and operational needs. Standard reports include Flight Time, Total Flight Distance, Maximum Distance from Landing Zone, and more.

Features

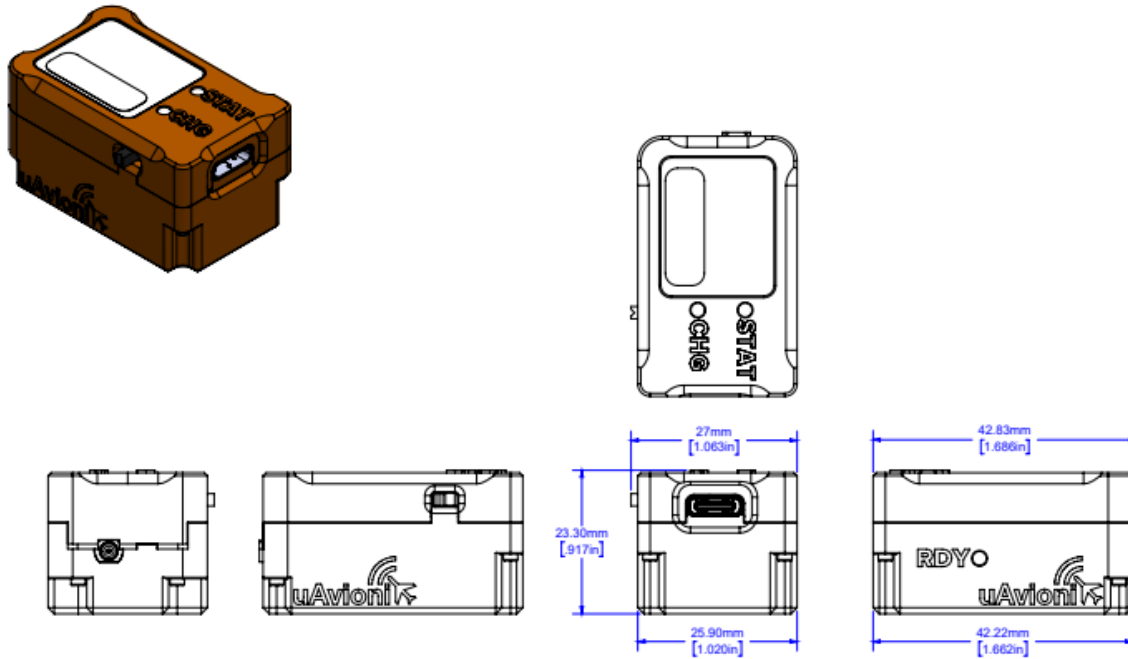
- Transmits UAS position data over ISM 915MHz
- Internal u-blox GPS to determine ownship position
- Negligible SWaP allowing installation on any UAS
- Fast, easy attachment with included adhesive tape
- Powered by UAS or internal rechargeable battery
- Internal battery allows flight without UAS power draw, or to locate UAS when it is no longer powered
- USB-C charging port and included cable
- LED indicators for charging and GPS fix status
- RF antenna port for enhanced signal strength
- UAS position received by the Trakr ecosystem and displayed privately and securely in FlightLine
- Trakr and ADS-B data combined in FlightLine to help avoid low-altitude airborne collisions






Technical Specifications

Parameter	Value
Part Number	UAV-1008429-001
Power	0.2 W
Size	3.25 x 27 x 42.83 mm
Weight	28 grams
Operating Temp	-40 to 70°C
Operating time (internal battery)	Up to 90 mins
Range	Up to 3 miles at 400 ft
Radio	
Frequency	915 MHz ISM Band Frequency hopping between 902 and 928 MHz
External Interfaces	
Charging / Power	
Interface	USB-C

Mechanical Specification



Related Products in Trakr Ecosystem

Trakr Station	Trakr Station LTE	FlightLine
Part Number: UAV-1005539-001	Part Number: UAV-1006904-001	Part Number: N/A
		
Permanent or semi-permanent Receiver of Trakr broadcasted UAS position data. Data then broadcast to cloud based FlightLine for real-time situational awareness, traffic deconfliction, and reporting.	Mobile battery powered receiver of Trakr broadcasted UAS position data. Data then broadcast to cloud based FlightLine for real-time situational awareness, traffic deconfliction, and reporting.	Cloud based platform to capture Trakr positional data via TrakrStations / TrakrStationLTES to display in real-time for situational awareness, and for reporting purposes. Other displayed information includes ADS-B traffic data for traffic deconfliction.

uAvionix reserves the right to alter product, services offerings, specifications, and pricing at any time without notice.

© Copyright 2022 uAvionix, all rights reserved. www.uavionix.com

