



tailBeacon™ TSO

User and Installation Guide



© 2019 - 2024 uAvionix Corporation. All rights reserved.

Except as expressly provided herein, no part of this guide may be reproduced, transmitted, disseminated, downloaded or stored in any storage medium, for any purpose without the express written permission of uAvionix. uAvionix grants permissions to download a single copy of this guide onto an electronic storage medium to be viewed for personal use, provided that the complete text of this copyright notice is retained. Unauthorized commercial distribution of this manual or any revision hereto is strictly prohibited.

uAvionix® and Ping® are registered trademarks of uAvionix Corporation and may not be used without express permission of uAvionix.

tailBeacon, skyBeacon, Continuous Calibration, Power Transcoder, Echo Installer, and Ping Installer are trademarks of uAvionix Corporation and may not be used without express permission of uAvionix.

Patent uavionix.com/patents

1 Revision History

Revision	Date	Comments
A	7/3/2019	Initial release
B	8/28/2019	Update annual checks to include ADS-B version, and update TCAS limitation. Note installation kit.
C	12/2/2019	Updated installation kit instructions. Add rotorcraft specific language.
D	4/13/2020	Update ADS-B version check language and correct error in TSO-C88b deviation table.
E	9/14/2020	Update annual checks screenshot, update transponder limitation, and add Flight Plan ID deviation.
F	1/29/2024	Updated mounting instructions and added Installation Record

2 Warnings / Disclaimers

All device operational procedures must be learned on the ground.

uAvionix is not liable for damages arising from the use or misuse of this product.

This equipment is classified by the United States Department of Commerce's Bureau of Industry and Security (BIS) as Export Control Classification Number (ECCN) 7A994.

These items are controlled by the U.S. Government and authorized for export only to the country of ultimate destination for use by the ultimate consignee or end-user(s) herein identified. They may not be resold, transferred, or otherwise disposed of, to any other country or to any person other than the authorized ultimate consignee or end-user(s), either in their original form or after being incorporated into other items, without first obtaining approval from the U.S. government or as otherwise authorized by U.S. law and regulations.

3 Limited Warranty

uAvionix products are warranted to be free from defects in material and workmanship for two years from the installation of tailBeacon on the aircraft. For the duration of the warranty period, uAvionix, at its sole option, will repair or replace any product which fails in normal use. Such repairs or replacement will be made at no charge to the customer for parts or labor, provided that the customer shall be responsible for any transportation cost.

Restrictions: This warranty does not apply to cosmetic damage, consumable parts, damage caused by accident, abuse, misuse, fire or flood, theft, hangar rash, damage caused by unauthorized servicing, or product that has been modified or altered.

Disclaimer of Warranty: IN NO EVENT, SHALL UAVIONIX BE LIABLE FOR ANY INCIDENTAL, SPECIAL, INDIRECT OR CONSEQUENTIAL DAMAGES, WHETHER RESULTING FROM THE USE, MISUSE OR INABILITY TO USE THE PRODUCT OR FROM DEFECTS IN THE PRODUCT. SOME STATES DO NOT ALLOW THE EXCLUSION OF INCIDENTAL OR CONSEQUENTIAL DAMAGES, SO THE ABOVE LIMITATIONS MAY NOT APPLY TO YOU.

Warranty Service: Warranty repair service shall be provided directly by uAvionix. Proof of purchase for the product from uAvionix or authorized reseller is required to obtain and better expedite warranty service.

Please email or call uAvionix support with a description of the problem you are experiencing. Also, please provide the model, serial number, shipping address and a daytime contact number.

You will be promptly contacted with further troubleshooting steps or return instructions. It is recommended to use a shipping method with tracking and insurance.

4 Table of Contents

- 1 Revision History3
- 2 Warnings / Disclaimers4
- 3 Limited Warranty.....5
- 4 Table of Contents6
- 5 TSO and System Information.....8
 - 5.1 Certification.....8
 - 5.2 TSO Authorization9
 - 5.3 Applicable P/Ns9
 - 5.4 System Functions9
 - 5.5 TSO Deviations and Incomplete10
 - 5.6 FCC ID11
 - 5.7 Device Marking.....11
 - 5.7.1 tailBeacon Hardware11
 - 5.7.2 tailBeacon ADS-B Firmware.....11
 - 5.8 Environmental Qualification Form12
 - 5.9 Continued Airworthiness.....13
 - 5.10 System Limitations.....13
- 6 System Specifications.....14
 - 6.1 System Functionality.....14
 - 6.2 Altitude Encoder with Continuous Calibration™14
 - 6.3 Power Line Transponder Monitor.....14
 - 6.4 Anonymous Mode.....15
 - 6.5 Wi-Fi.....15
 - 6.6 Call Sign15
 - 6.7 tailBeacon Specifications.....16
 - 6.7.1 Physical Specifications16

6.7.2	GPS/SBAS Specifications	17
6.7.3	Altitude Encoder Specifications	17
6.7.4	978MHz UAT Specifications.....	17
6.7.5	System Interfaces.....	18
7	Installation	19
7.1	Unpacking and Inspecting.....	19
7.2	Wiring	19
7.3	Part Numbers	19
7.3.1	tailBeacon TSO Installation Kit UAV-1003202-001 for #4-40 screw mounting.....	20
7.3.2	tailBeacon TSO Installation Kit UAV-1003202-002 for #6-32 screw mounting.....	21
7.3.3	tailBeacon TSO Installation Kit UAV-1003202-003 for Ercoupe style mounting	22
7.4	Mounting.....	23
7.4.1	Direct Mounting	23
7.4.2	Adapter Mounting	26
7.4.3	Unit Installation.....	28
8	Maintenance	31
9	Care and Cautions.....	31
10	System Configuration	31
10.1	Connect to tailBeacon Wi-Fi	31
10.2	Configuration	33
10.2.1	Configure.....	33
10.3	Post-Installation Checks	35
10.4	Post-Flight and Annual Checks.....	36
11	Normal Operation	37
12	Support.....	37
13	Installation Record.....	38

5 TSO and System Information

5.1 Certification

This installation manual provides mechanical and electrical information necessary to install tailBeacon. It is not equivalent to an approved airframe-specific maintenance manual, installation design drawing, or installation data package. The content of this manual assumes use by competent and qualified personnel using standard maintenance procedures in accordance with Title 14 of the Code of Federal Regulation and other related accepted procedures. The conditions and tests required for approval of this article are minimum performance standards. Those installing this article either on or within a specific type or class of aircraft must determine that the aircraft installation conditions are within the standards which include any accepted integrated functions not specified by the standards. TSO articles, articles approved with 14 CFR Part 21.8(d), and any accepted integrated function(s) not specified in the standard must have separate approval for installation in an aircraft. The article may be installed only according to 14 CFR Part 43 or the applicable airworthiness requirements. This is an incomplete system intended to provide the functions identified in, and when installed according to this installation manual.

5.2 TSO Authorization

Function	TSO/RTCA/SAE	Class/Type
Airborne Navigation Sensor Using the Global Positioning System (GPS) Augmented by the Satellite Based Augmentation System (SBAS)	TSO-C145e INCOMP RTCA/DO-229E	Beta 1
Universal Access Transmitter (UAT) Automatic Dependent Surveillance-Broadcast (ADS-B) Equipment Operating on Frequency of 978MHz	TSO-C154c RTCA/DO-282B	B1S
Position Light (White)	TSO-C30c SAE/AS8037	Type III
Automatic Pressure Altitude Reporting Code-Generating Equipment	TSO-C88b SAE/AS8003	

5.3 Applicable P/Ns

Description	P/Ns
skyBeacon PF007 Boot Program Firmware	UAV-1001758-()
skyBeacon PF007 Operating Program (ADS-B) Firmware	UAV-1001759-()
skyBeacon GNSS Operating Program Firmware	UAV-1002029-()
skyBeacon Wi-Fi Operating Program Firmware	UAV-1001761-()
skyBeacon Transponder Monitor Firmware	UAV-1001762-()

5.4 System Functions

System Function	DO-178C DAL	DO-254 DAL
GPS/SBAS	C	C
UAT Transmission	C	C
Transponder Monitor	C	C
Altitude Encoder	C	C
Wi-Fi [1]	E	E

[1] Wi-Fi not intended for and disabled during airborne operation

5.5 TSO Deviations and Incomplete

TSO	Deviation
C154c	uAvionix was granted a deviation from TSO-C154c paragraphs 3.e and 6.h to use RTCA/DO-178C instead of RTCA/DO-178B.
C154c	uAvionix was granted a deviation from RTCA/DO-282B section 2.2.4.5.2.5.1.e to allow an algorithm with multiple sources of data to determine the Vertical Status of light aircraft.
C154c	uAvionix was granted a deviation from RTCA/DO-282B section 2.2.4.5.4.15 to not provide installers with the configuration option to enable or disable Call Sign Identification Logic. CSID Logic is hardcoded to Enabled.
C154c	uAvionix was granted a deviation from RTCA/DO-282B section 2.2.12 to not provide a suppression bus output.
C154c	uAvionix was granted a deviation from RTCA/DO-282B section 2.2.7.1.a Table 2-63 Line 1 to not provide a Barometric Vertical Rate Input.
C154c	uAvionix was granted a deviation from RTCA/DO-282B section 2.2.7.1.a Table 2-63 Line 24 to not provide a SIL Supplement Flag input.
C154c	uAvionix was granted a deviation from RTCA/DO-282B section 2.2.7.1.a Table 2-63 Line 29 to not provide a TCAS/ACAS Operational Input.
C154c	uAvionix was granted a deviation from RTCA/DO-282B section 2.2.4.5.4.2 and 2.2.7.2.5 to use an initial Flight Plan ID of 0000 prior to data availability, and update the Flight Plan ID data lifetime from 60 seconds to N/A.
C145e	uAvionix was granted a deviation from TSO-C145e Paragraph 3.g to use RTCA/DO-160G in place of RTCA/DO-160E.
C145e	uAvionix was granted a deviation from RTCA/DO-229E section 2.1.1.10 to use a GPS antenna that meets uAvionix minimum performance specifications instead of DO-301 qualified antennas.
C30c	uAvionix was granted a deviation from TSO-C30c Paragraph a.(2), TSO-C30c Paragraph c.(1).(viii), and SAE/AS8037 Section 4 to use RTCA/DO-160G in place of RTCA/DO-160B.
C88b	uAvionix was granted a deviation from TSO-C88b Paragraph 3.e and 6.h to use RTCA/DO-178C instead of RTCA/DO-178B.

C88b	uAvionix was granted a deviation from TSO-C88b Paragraph 3.d to use RTCA/DO-160G in place of RTCA/DO-160E.
------	--

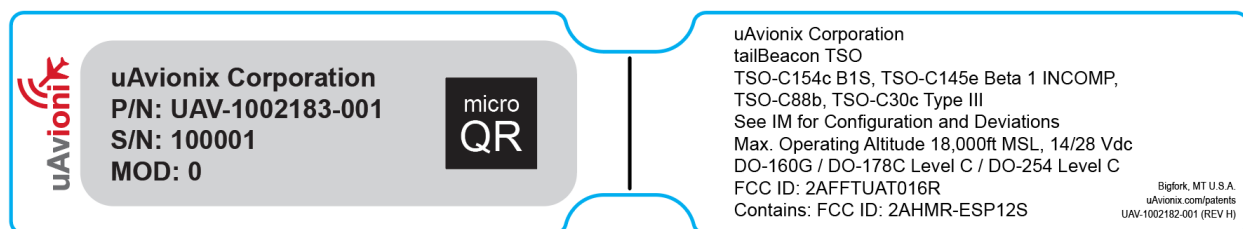
TSO-C145e Class Beta 1 functionality is incomplete. tailBeacon does not implement LNAV approach mode, instead operating in En Route/Terminal mode only, as appropriate for ADS-B Out applications.

5.6 FCC ID

Model	FCC ID
tailBeacon	2AFFTUAT016R
Contains	2AHMR-ESP12S

5.7 Device Marking

5.7.1 tailBeacon Hardware



5.7.2 tailBeacon ADS-B Firmware

The ADS-B firmware contained in the tailBeacon is identified by electronic marking. Reference Section 10.4 for information on determining the ADS-B firmware part number.

5.8 Environmental Qualification Form

Conditions	DO-160G Section	Description of Conducted Tests
Temperature and Altitude	4.0	Equipment tested to Category B2
Low temperature ground survival	4.5.1	-55°C
Low Temperature Short-Time Operating	4.5.1	-45°C
Low Temperature Operating	4.5.2	-45°C
High Temperature Operating	4.5.4	+70°C
High Temperature Short-Time Operating	4.5.3	+70°C
High Temperature Ground Survival	4.5.3	+85°C
Loss of Cooling	4.5.5	Cooling air not required (+70°C operating without cooling)
Altitude	4.6.1	25,000feet
Decompression	4.6.2	Equipment identified as Category B2 – no test
Overpressure	4.6.3	Equipment identified as Category B2 – no test
Temperature Variation	5.0	Equipment tested to Category A
Humidity	6.0	Equipment tested to Category C
Operation Shocks and Crash Safety	7.0	Equipment tested to Category A
Vibration	8.0	Aircraft type 5: zone 1 (Single Engine) to Category S level M Aircraft type 1: zone 7 (Helicopter) to Category R level J
Explosion	9.0	Equipment identified as Category H
Waterproofness	10.0	Equipment identified as Category S
Fluids Susceptibility	11.0	Equipment identified as Category F
Sand and Dust	12.0	Equipment identified as Category D
Fungus	13.0	Equipment identified as Category X – no test
Salt Spray	14.0	Equipment identified as Category S
Magnetic Field	15.0	Equipment identified as Category A
Power Input	16.0	Equipment identified as Category BX
Voltage Spike	17.0	Equipment identified as Category B
AF Conducted Susceptibility	18.0	Equipment identified as Category B
Induced Signal Susceptibility	19.0	Equipment identified as Category AC
RF Susceptibility	20.0	Equipment identified as Category T
RF Emissions	21.0	Equipment identified as Category H
Lightning Induced Transient Susceptibility	22.0	Equipment identified as Category A2G2L2 with no loss of function, A3G3L3 with no incorrect broadcasts
Lightning Direct Effects	23.0	Equipment identified as Category X – no test
Icing	24.0	Equipment identified as Category X – no test
Electrostatic Discharge	25.0	Equipment identified as Category A
Fire, Flammability	26.0	Equipment identified as Category C

5.9 Continued Airworthiness

Maintenance of the tailBeacon is "on condition" only. For regulatory periodic functional checks, refer to the approved aircraft maintenance manuals or manual supplements. The aircraft must be returned to service in a means acceptable to the appropriate aviation authority.

The rear position light is designed with 2 white LEDs. If any single LED fails, the unit must be repaired or replaced.

Note: Use dark glasses or cover the device to ensure eye safety during LED inspection.

5.10 System Limitations

Installation

This article meets the minimum performance and quality control standards required by a technical standard order (TSO). If you are installing this article on or in a specific type or class of aircraft, you must obtain separate approval for installation.

TCAS/ACAS System

tailBeacon does not support installation on aircraft with an active Airborne Collision Avoidance System (ACAS) with Resolution Advisory capability, such as TCAS II or ACAS X.

SatCom

The tailBeacon GPS has not been demonstrated as compatible with SatCom equipment and should not be installed on SatCom equipped aircraft.

Transponder

A companion Mode A/C (not Mode S) altitude-reporting transponder is required to be installed for 14 CFR 91.225 and 91.227 compliance, unless installed on an aircraft excepted from the requirements of 14 CFR 91.215 and 91.225.

Location

tailBeacon must be installed at least 3 feet from any operating transponder antenna.

Rotorcraft Installations

tailBeacon will broadcast that it is in an airborne state at all times when the emitter category is set to “Rotorcraft”. Therefore, for rotorcraft installations to meet the performance requirements of TSO-C154c, this equipment may only be installed on rotorcraft that do not have a means of automatically determining air-ground status.

6 System Specifications

6.1 System Functionality

tailBeacon is a tail mounted unit that contains a 978 MHz transmitter, power line transponder monitor, GPS/SBAS receiver, barometric pressure sensor and altitude encoder, and LED position light. This device transmits ownship Automatic Dependent Surveillance-Broadcast (ADS-B) data through the UAT data link. It monitors an installed transponder, through the aircraft power wiring, for Mode A/C replies. tailBeacon includes an internal GPS/SBAS receiver. This receiver allows the unit to function as its own position source.

6.2 Altitude Encoder with Continuous Calibration™

The integrated altitude encoder does not require connection to the aircraft static pressure system. Instead, tailBeacon benefits from being mounted in an ideal altitude sensing location, and contains Continuous Calibration™ technology. This patent pending technology automatically and continuously calibrates the integrated altitude encoder for correspondence with the aircraft transponder’s altitude encoder, allowing compliant operations in remote and challenging environments.

6.3 Power Line Transponder Monitor

tailBeacon utilizes uAvionix’s Power Transcoder to ensure proper synchronization of data elements between Secondary Surveillance Radar (SSR) replies and ADS-B transmissions. These elements include Mode A squawk and IDENT status. In remote areas where you may not be

interrogated by SSR, these data elements may at times be unavailable. The Power Transponder additionally serves to provide Continuous Calibration™ data to the altitude encoder.

6.4 Anonymous Mode

In anonymous mode, tailBeacon transmits a randomized temporary address instead of the aircraft's assigned ICAO address code, and a non-identifying Call Sign. The temporary address and Call Sign are disabled if the operator selects a non-1200 squawk code on the transponder. When enabled, the operator will not be eligible to receive ATC services.

Anonymous mode must not be enabled when tailBeacon is installed on an aircraft with a Mode S transponder. Doing so will present an ICAO code mismatch to ATC.

6.5 Wi-Fi

Wi-Fi is intended for on-ground configuration. It is disabled five minutes after startup, or when airborne, whichever occurs first. Connecting the skyBeacon Installer app to the device will prevent the five-minute shutdown from occurring.

To restore Wi-Fi functionality after flight, power to the device must be cycled.

6.6 Call Sign

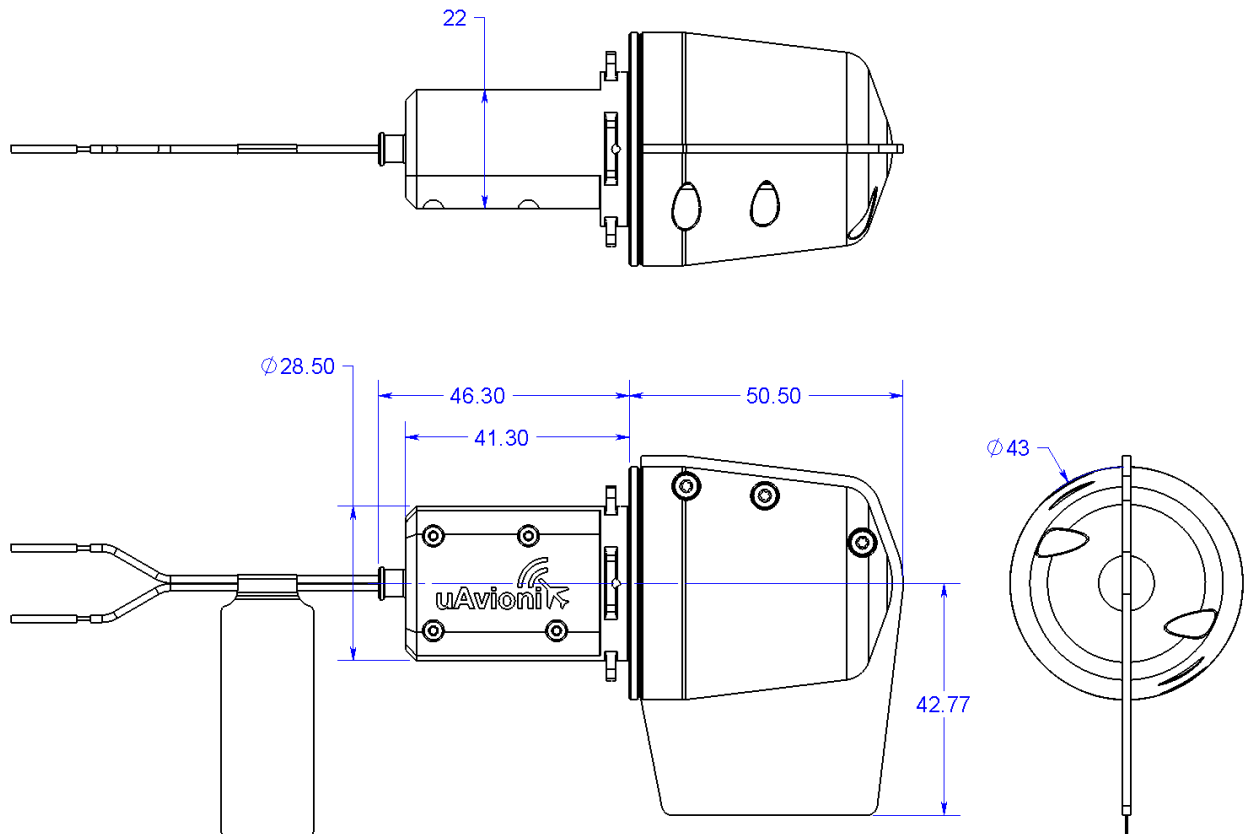
Your call sign may be adjusted on the ground using the skyBeacon Installer app. It may not be adjusted in-flight. This allows your call sign to be configured to correspond with ATC communications and flight plans, for use during commercial, medical, or volunteer flight operations. When changing the call sign ensure no other installation parameters are adjusted. For typical operations, the call sign should be set to the aircraft registration (N-number), including the leading "N".

6.7 tailBeacon Specifications

6.7.1 Physical Specifications

Characteristics	Specifications
Width	1.71 in (44 mm)
Height	2.63 in (67 mm)
Depth	3.82 in (97 mm)
Weight	3.0 oz (85 g)
Operating Temperature Range	-45°C to +70°C
Maximum Pressure Altitude [1]	18,000 ft
Input Voltage Range	9 to 33 VDC
14V Current	0.5A Max
28V Current	0.25A Max

[1] UAT usage is restricted to below 18,000 feet MSL (§91.225).



SHOWN HERE WITHOUT INSTALLATION KIT, REQUIRED FOR MOUNTING

6.7.2 GPS/SBAS Specifications

Characteristics	Specifications
Number of Channels	15 (12 GPS and 3 GPS/SBAS)
Frequency	1575.42 MHz L1, C/A code
Sensitivity	
Tracking	-166dBm
Reacquisition	-160dBm
Cold Start	-148dBm
Hot Start	-160dBm
Horizontal position accuracy	6 m RMS with SBAS
Velocity accuracy	0.05 m/s
Heading accuracy	0.3 degrees
TTF (Time to First Fix)	58 seconds typical with current almanac and position
Reacquisition	1 second typical
Position update interval	0.2 second (5Hz)
Time Mark	±20 nSec of UTC
Datum	WGS-84

6.7.3 Altitude Encoder Specifications

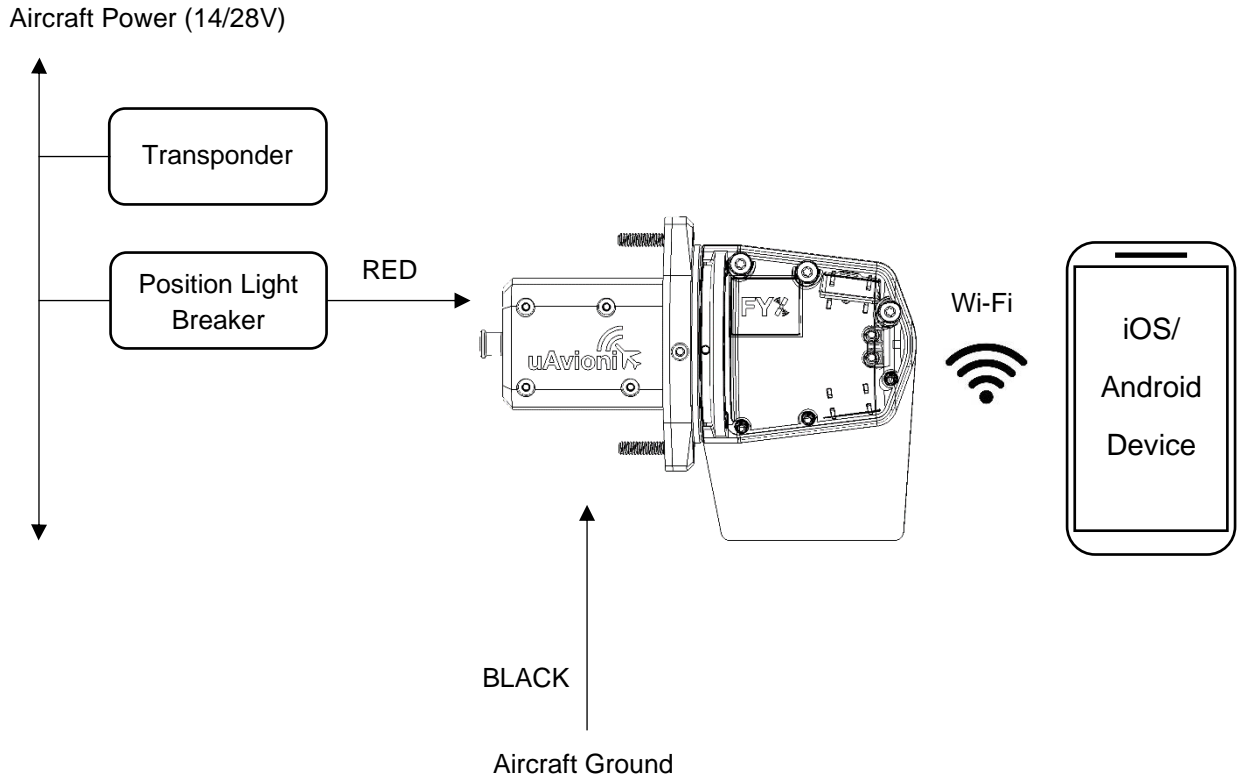
Characteristics	Specifications
Altitude Range [1]	-1,000 to 18,500 feet

[1] UAT usage is restricted to below 18,000 feet MSL (§91.225).

6.7.4 978MHz UAT Specifications

Characteristics	Specifications
Frequency	978.00 MHz
Transmit Power	44dBm (25 W)
Frequency Tolerance	±10 PPM
Modulation	Continuous phase FSK, h = 0.6, raised cosine, a = 0.5
Data Rate	1.041667 Mbps
99% Power Bandwidth	1.3 MHz
60dB bandwidth	3.3 MHz

6.7.5 System Interfaces



WARNING: Do not connect the power wire to a Xenon strobe power pack. This can damage the light and voids the warranty.

7 Installation

7.1 Unpacking and Inspecting

Carefully unpack the device and make a visual inspection of the unit for evidence of any damage incurred during shipment. If the unit is damaged, notify the shipping company to file a claim for the damage. To justify your claim, save the original shipping container and all packing materials.

7.2 Wiring

tailBeacon is designed to use existing position light wiring. If new wiring is required, refer to AC 43.13-1B Chapter 11 for guidance. The wiring should present an impedance of less than 0.5ohm. The following table provides guidance for typical aircraft hook-up wire.

Gauge	ohm/km	Maximum Length for 0.5ohm
20 AWG	35	14.2m
22 AWG	64	7.8m

Changes to the existing position light circuit breaker rating are not required.

7.3 Part Numbers

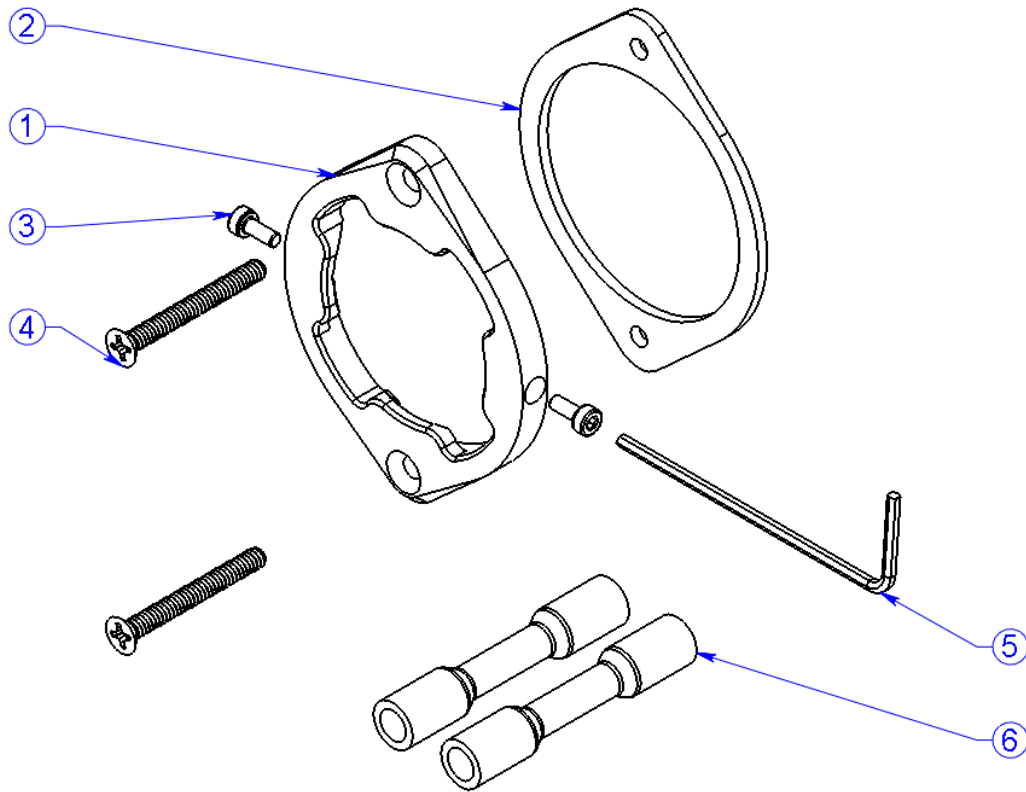
Item	P/N
tailBeacon Hardware	UAV-1002183-()
tailBeacon ADS-B Firmware	UAV-1001759-()

tailBeacon TSO Installation Kits:

Item	P/N
Installation Kit for #4-40 screw mounting	UAV-1003202-001
Installation Kit for #6-32 screw mounting	UAV-1003202-002
Installation Kit for Ercoupe style mounting	UAV-1003202-003

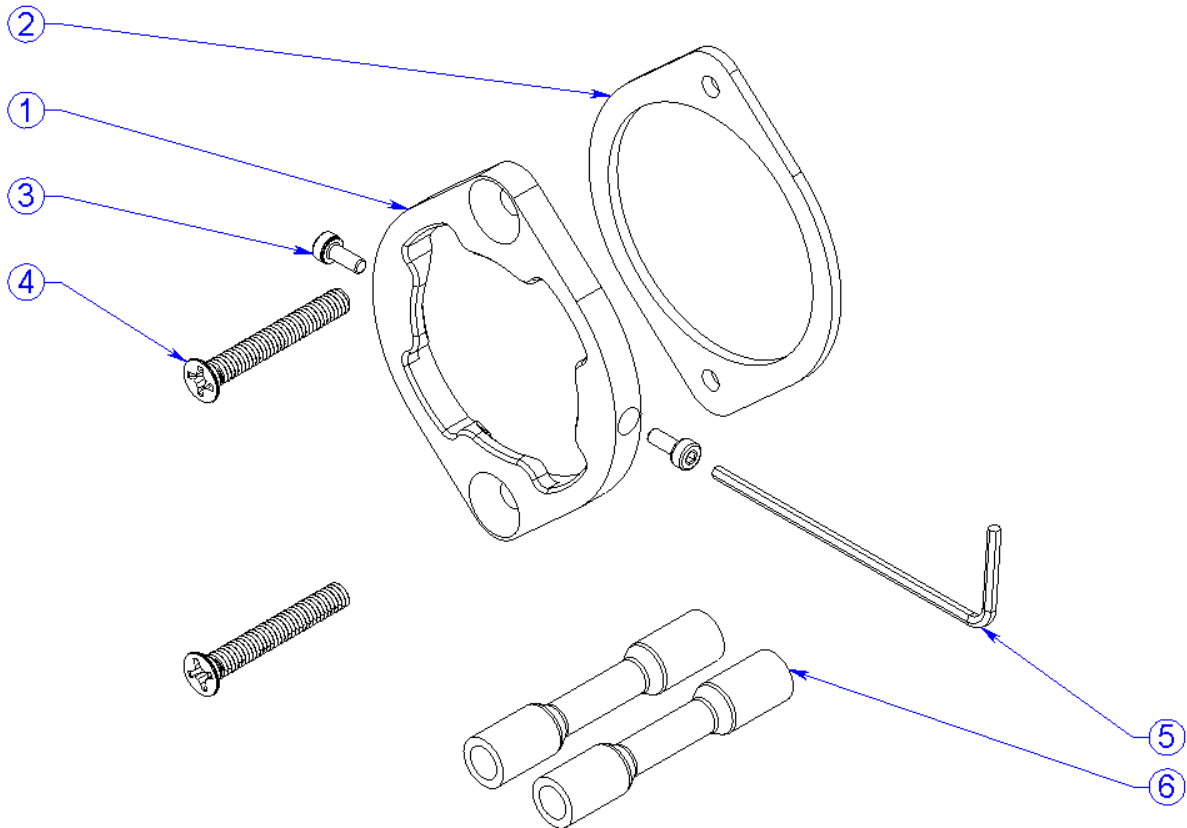
7.3.1 tailBeacon TSO Installation Kit UAV-1003202-001 for #4-40 screw mounting

#	Item	P/N
1	tailBeacon Mounting Plate, #4	UAV-1001383-001
2	tailBeacon Mounting Gasket	UAV-1001756-001
3	M2 x 5mm Cap Head Screw (2)	UAV-1002820-001
4	#4 1" Screw (2)	UAV-1002184-001
5	Hex L Wrench, 1.5mm	UAV-1002817-001
6	Wire Splice (2)	UAV-1001487-001



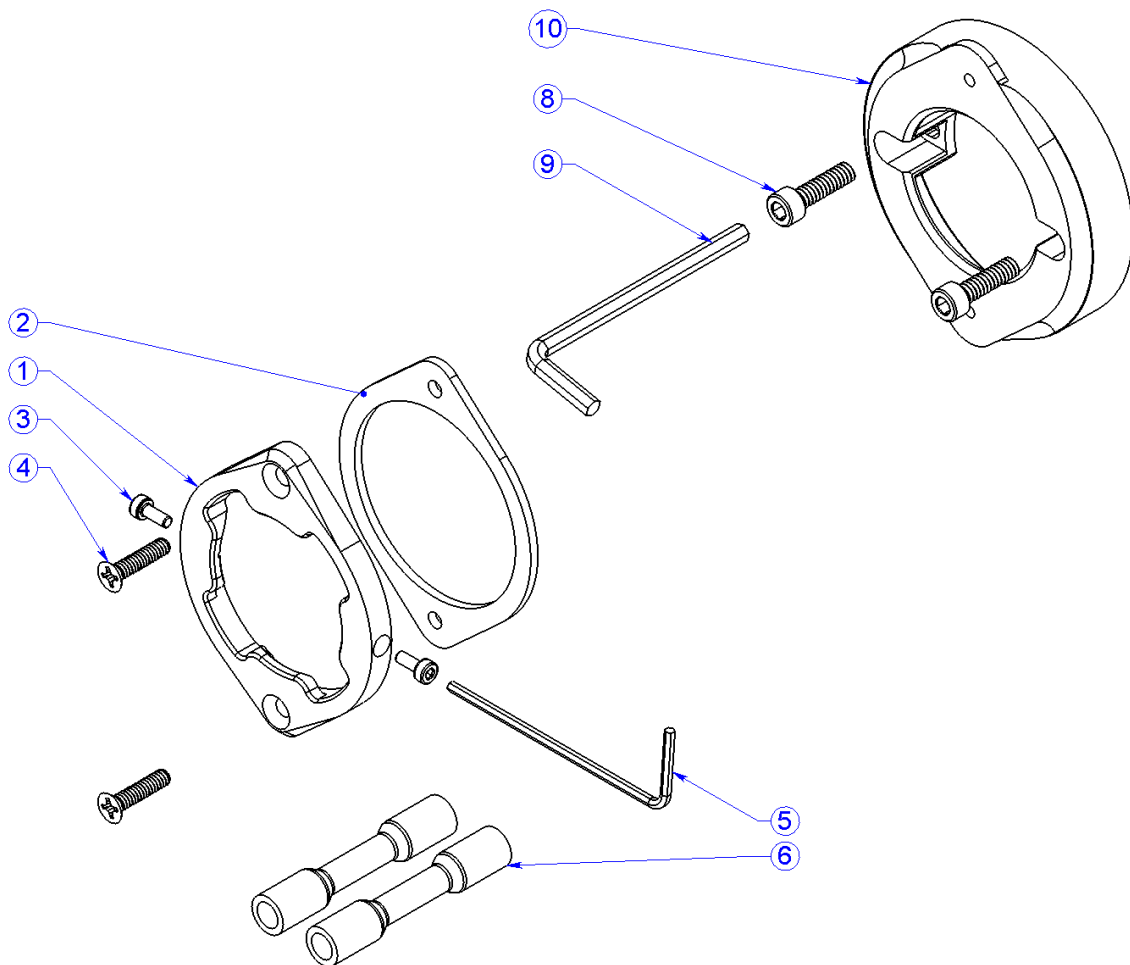
7.3.2 tailBeacon TSO Installation Kit UAV-1003202-002 for #6-32 screw mounting

#	Item	P/N
1	tailBeacon Mounting Plate, #6	UAV-1001383-002
2	tailBeacon Mounting Gasket	UAV-1001756-001
3	M2 x 5mm Cap Head Screw (2)	UAV-1002820-001
4	#6 1" Screw (2)	UAV-1003563-001
5	Hex L Wrench, 1.5mm	UAV-1002817-001
6	Wire Splice (2)	UAV-1001487-001



7.3.3 tailBeacon TSO Installation Kit UAV-1003202-003 for Ercoupe style mounting

#	Item	P/N
1	tailBeacon Mounting Plate, #4	UAV-1001383-001
2	tailBeacon Mounting Gasket	UAV-1001756-001
3	M2 x 5mm Cap Head Screw (2)	UAV-1002820-001
4	#4 0.625" Screw (2)	UAV-1002184-003
5	Hex L Wrench, 1.5mm	UAV-1002817-001
6	Wire Splice (2)	UAV-1001487-001
8	6-32 x 0.5in, SHCS, Stainless	UAV-1003564-001
9	Hex L Wrench, 7/64in	UAV-1003565-001
10	Mounting Plate, Ercoupe	UAV-1002252-001



7.4 Mounting

tailBeacon is a rear, aft position light. Ensure that when mounted, the fin and top of the assembly are free from obstructions. tailBeacon requires a clear view of the sky for optimal GPS performance. It may not be suitable for installation on aircraft where aircraft elevators or other structures would block visibility to the sky.

7.4.1 Direct Mounting

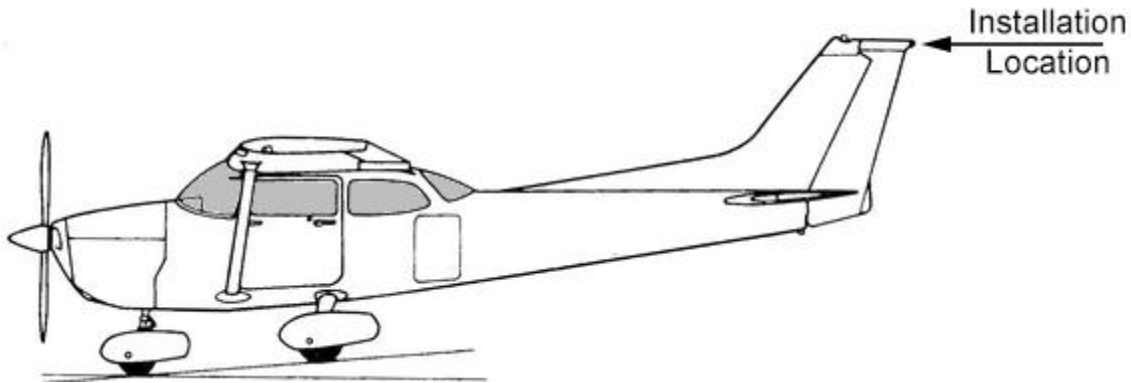
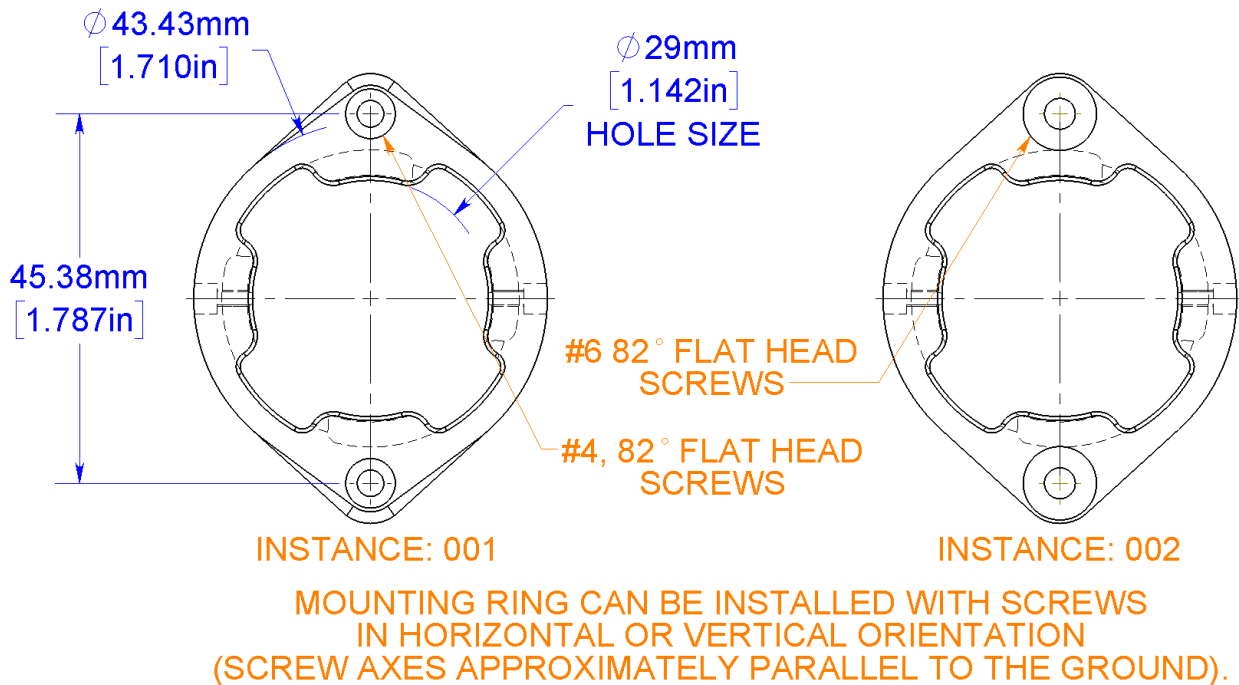


Figure 1: Generic representation of direct mounting.

7.4.1.1 Direct Mounting Dimensions

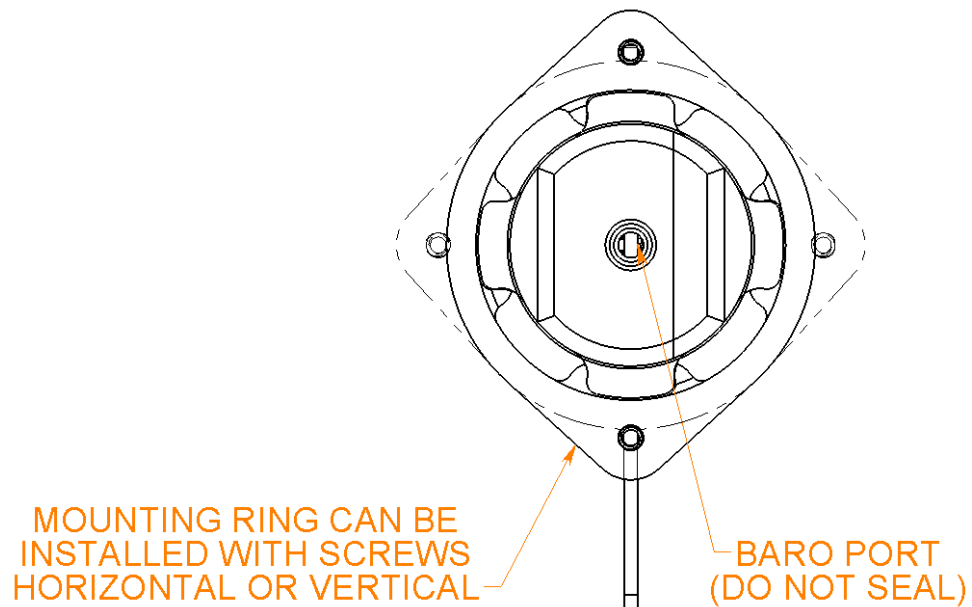
Direct mounting plates shown, UAV-1001383-001 and UAV-1001383-002.

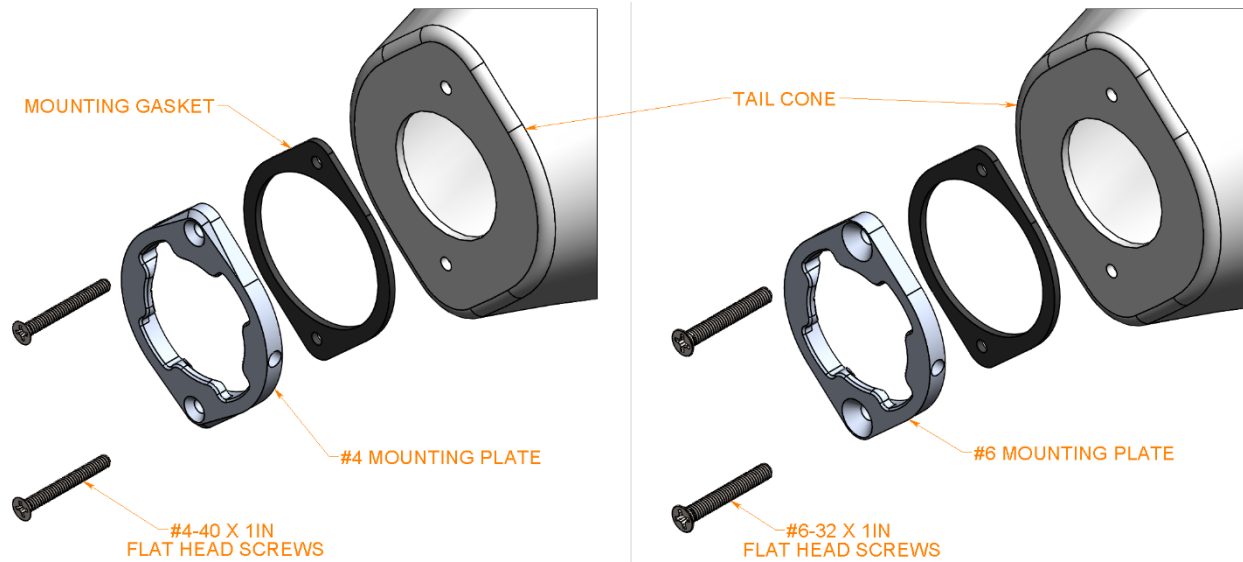


7.4.1.2 Mounting Plate Installation

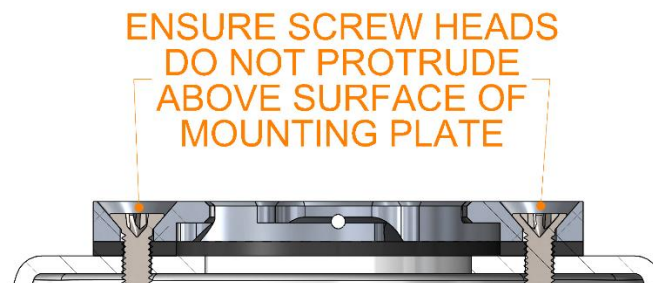
The default installation utilizes #4-40 hardware however there are some installations that require #6 mounting hardware. Be sure to use the correct Installation Kit for your aircraft. Refer to Section 7.3 for more details.

The Mounting Plate can be installed with the screws either vertical or horizontal as shown below.





1. Remove the existing aft position light.
2. Detach the power wire(s) and protect them from damage
3. Ensure the thru-hole in the tail cone is at least 29mm in diameter and allows straight passage of the tailBeacon main body.
4. Peel the backing from the Mounting Gasket and affix to the Mounting Plate.
5. Install the Mounting Plate, in the appropriate orientation for your aircraft, using either the supplied #4 or #6 hardware, or as defined below.
 - a. If the included hardware does not match the thread type of your aircraft, it is acceptable to use the hardware compatible with the thread types required, only if when installed, the screw heads do not protrude from the surface of the mounting plate as shown below.



- b. The mounting plate must be mounted flat to the aircraft surface. If the plate is bent or flexed when tightened down, the tailBeacon will be difficult to install and may lead to damage.

Note: Installation of the tailBeacon must be in accordance with AC 43.13-2B, Chapter 1.

7.4.2 Adapter Mounting

In addition to the direct mounting plate UAV-1001383-001, an adaptive mounting plate is required for fitment on some tail cone installations such as used on Ercoupes. The Ercoupe adapter serves as an interface between the aircraft structure and the tailBeacon direct mounting plate.

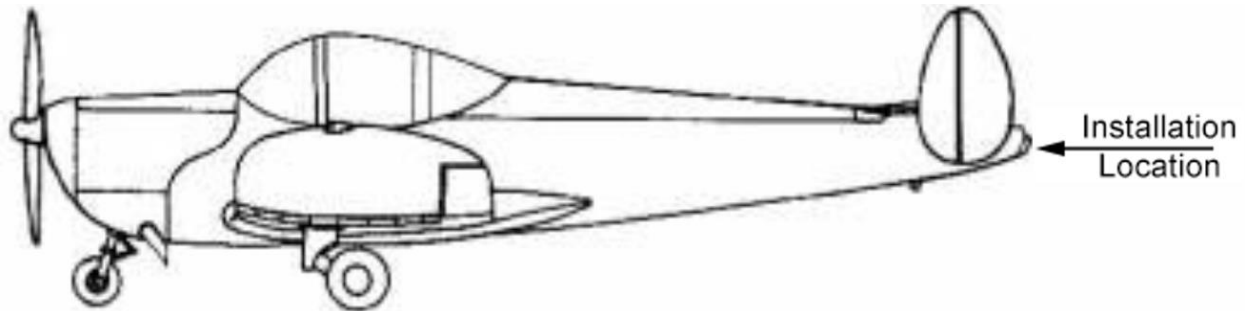
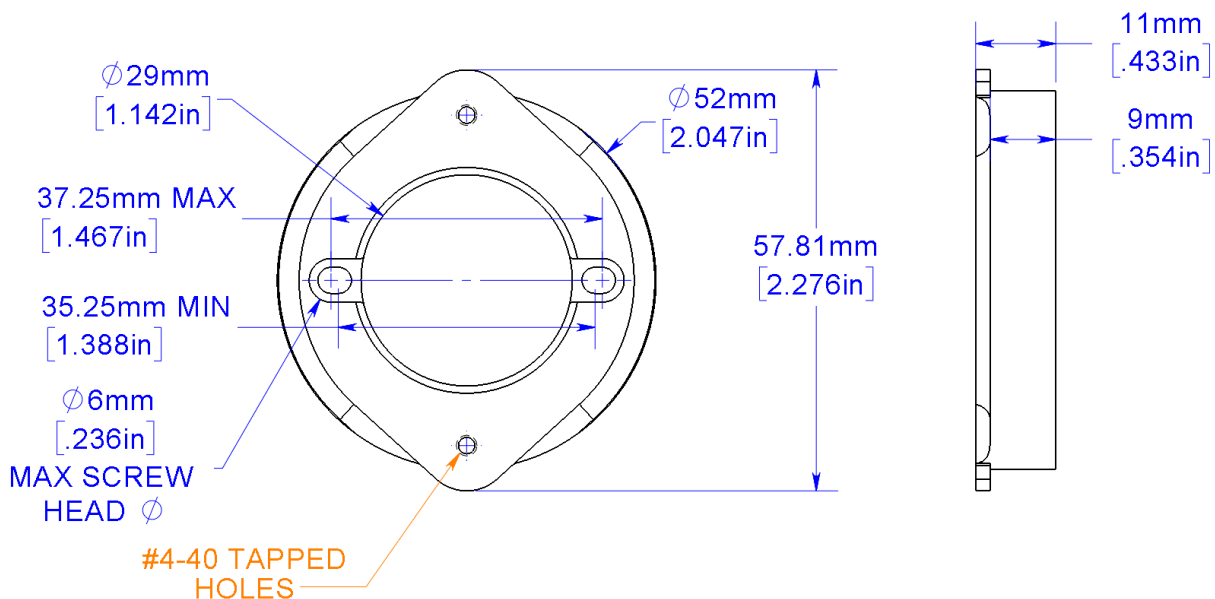


Figure 2: Generic representation of adapter style mounting.

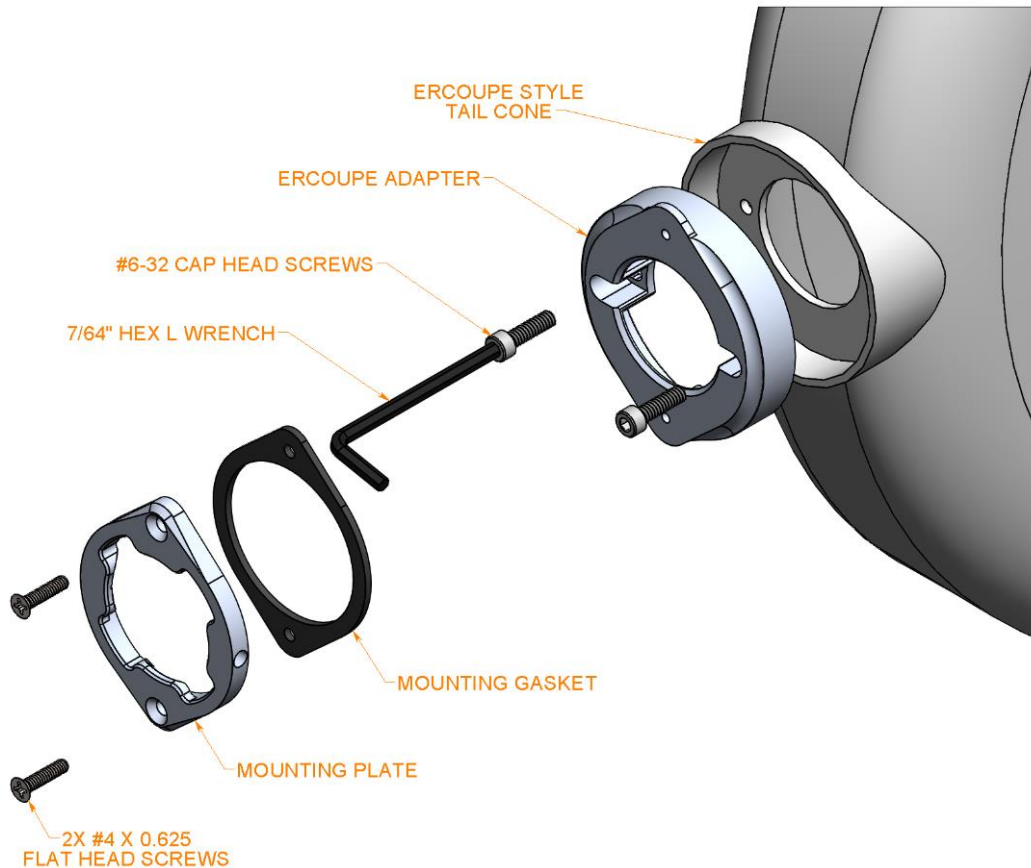
7.4.2.1 Adapter Mounting Dimensions



7.4.2.2 Adapter Installation

The adapter installation kit is supplied with two #6-32 Socket Head Cap Screws to support typical mounting hardware for securing the adapter to the tail cone. Once the adapter is installed, the tailBeacon Mounting Plate installation is identical to a Direct Mount with the only change being the length of the #4 screws, and the thread lock required on them. Ensure a

thread locking compound is on the end of the screw. If you need to add/replace thread locking compound on the screws, we recommend using Vibra-Tite® VC-3.

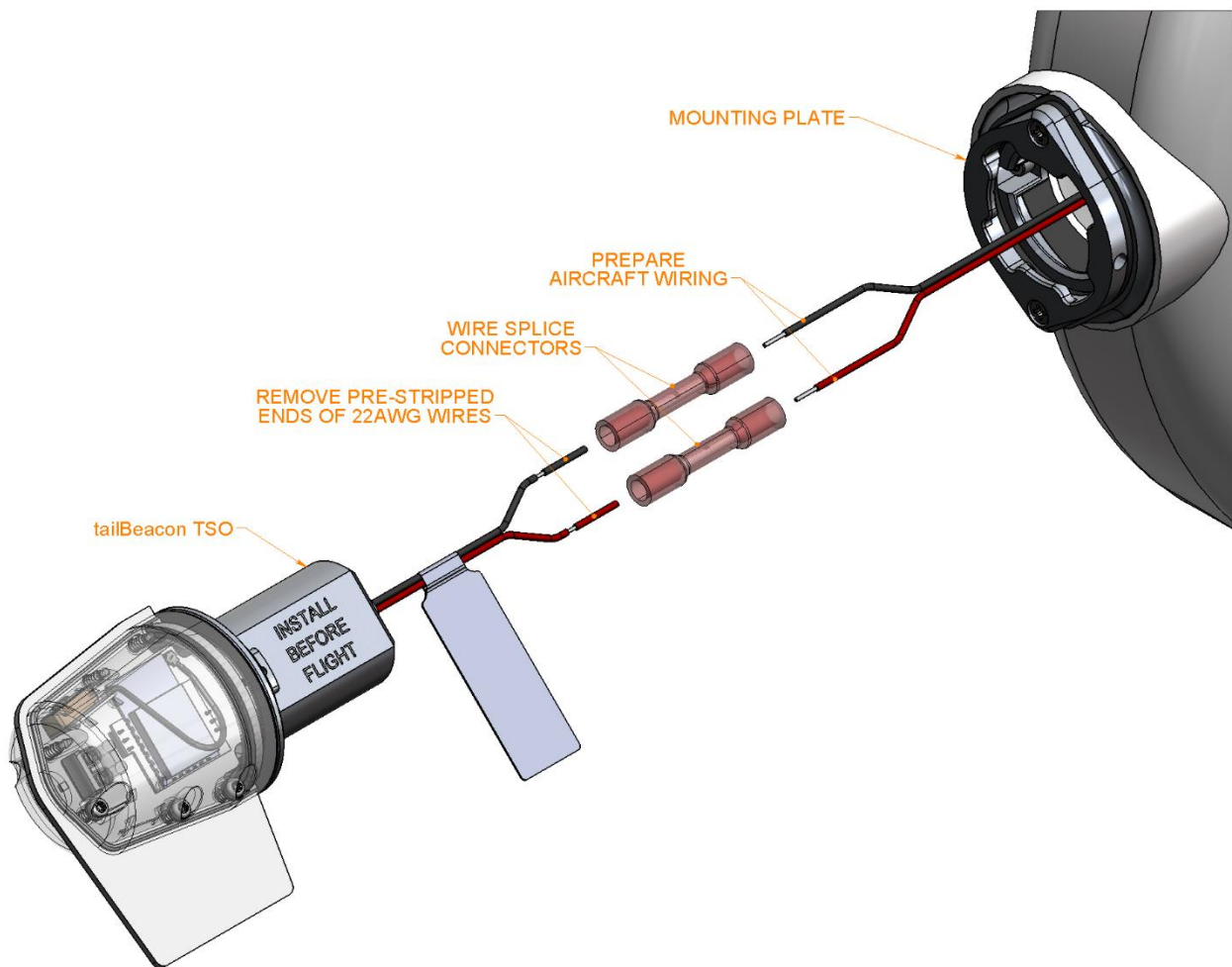


1. Remove the existing aft position light and mount.
2. Detach the power wire(s) and protect them from damage.
3. Ensure the thru-hole in the tail cone is at least 29mm in diameter and allows straight passage of the tailBeacon main body with adapter in place.
4. Install the Ercoupe Adapter into the tail cone and secure with two #6-32 cap head screws, utilizing included 7/64" Hex driver.
5. Peel the backing from the Mounting Gasket and affix to the Mounting Plate.
6. Install the Mounting Plate, in the appropriate orientation for your aircraft, using the two supplied #4 screws. Ensure there is thread locking compound applied to the #4 screws when installing the mounting ring onto the adapter.

NOTE: Installation of the tailBeacon must be in accordance with AC 43.13-2B, Chapter 1.

7.4.3 Unit Installation

The tailBeacon unit must be electrically connected, then installed into the Mounting Plate by aligning the mounting tabs on the tailBeacon with the cut-outs in the Mounting Plate. This requires you to rotate the unit 45deg from vertical before inserting. Once inserted fully, rotate Clockwise to vertical and secure with M2 anti-rotation screws.



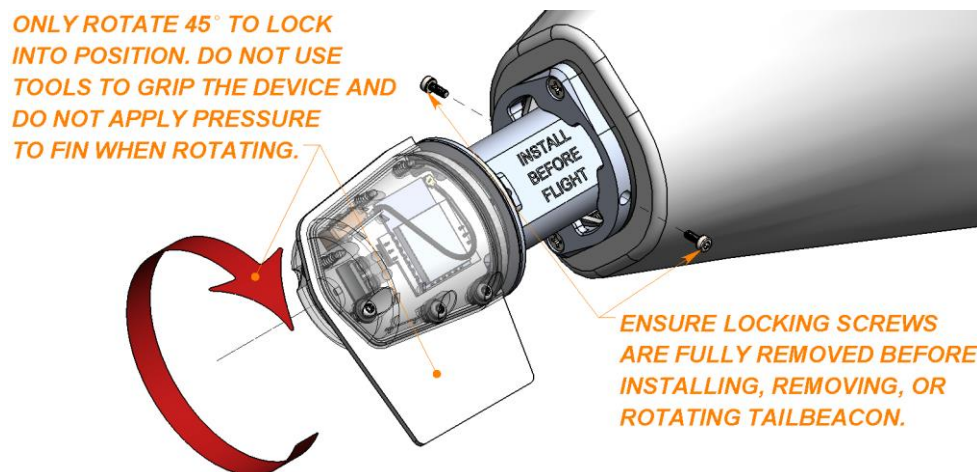
1. Prepare the aircraft wiring for connection.
2. Connect the red wire to the switched position light power wire using environmental splices or equivalent. Environmental splices require heating after install to activate the sealant.

- tailBeacon may be grounded to the aircraft structure via the mounting screws. However, it is recommended to connect the black wire to the battery ground.

WARNING! tailBeacon is an advanced piece of avionics hardware utilizing a tightly integrated design of radios and antennas. The device should be handled carefully and one must use caution when installing or removing it to avoid damage. Damage caused during installation or removal from use of incorrect process, excessive force or gripping tools (such as pliers) is not covered under, and will void the factory warranty.

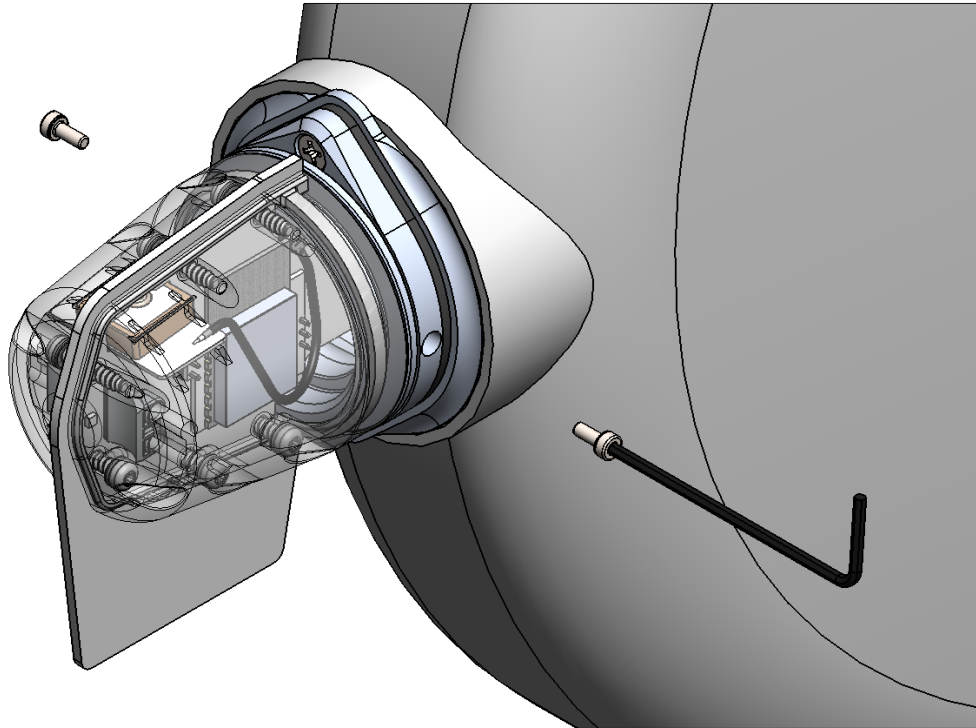
The tailBeacon should rotate easily in the mounting plate by hand. If it does not, you must **STOP** and find the issue. Ensure the mounting surface is flat and the mounting plate has not been bent or distorted during installation. Loosen the 2 plate mounting screws to test this then adjust mounting surface and plate mounting until it rotates easily into position when screws are tight.

NOTE: DO NOT INSTALL OR START THE ANTI-ROTATION SCREWS UNTIL AFTER THE UNIT IS INSTALLED AND ROTATED INTO POSITION. CONTACT SUPPORT IF YOU HAVE FURTHER QUESTIONS OR DIFFICULTIES INSTALLING THE TAILBEACON.



- Insert tailBeacon into the Mounting Plate and twist clockwise to the vertical position, ensuring that the tailBeacon is oriented with the fin facing directly downward.

5. Secure the tailBeacon to the Mounting Plate using the two supplied M2X5mm anti-rotation screws and a 1.5mm hex driver.



⚠ To ensure performance of the integrated altitude encoder, the wire bundle exiting the tailBeacon enclosure must not be sealed. This area functions as the static pressure sensing port.

NOTE: Installation of the tailBeacon must be in accordance with AC 43.13-2B, Chapter 1.

8 Maintenance

The tailBeacon is not a user serviceable product. All service must be performed either by uAvionix or an authorized uAvionix repair center.

9 Care and Cautions

The tailBeacon should be regularly cleaned with warm soapy water and a soft cloth micro-fiber rag. Use of chemical cleaners and degreasers should be avoided. If the tailBeacon is exposed to cleaning chemicals, you should promptly wash off all residue.

DO NOT wax, buff, paint or attempt to polish any part of the tailBeacon assembly. Doing so may damage the housing. Avoid any contact with abrasive materials including scrubbing pads.

Never hit, tap on or flex the fin portion of a properly mounted tailBeacon assembly. Doing so will cause undue stress on the assembly and could void your warranty.

10 System Configuration

Download the “uAvionix skyBeacon Installer” app from the iOS App Store or Google Play Store. Note: DO NOT use the “uAvionix Ping Installer” or “uAvionix Echo Installer” apps. The app will guide you through the configuration process.



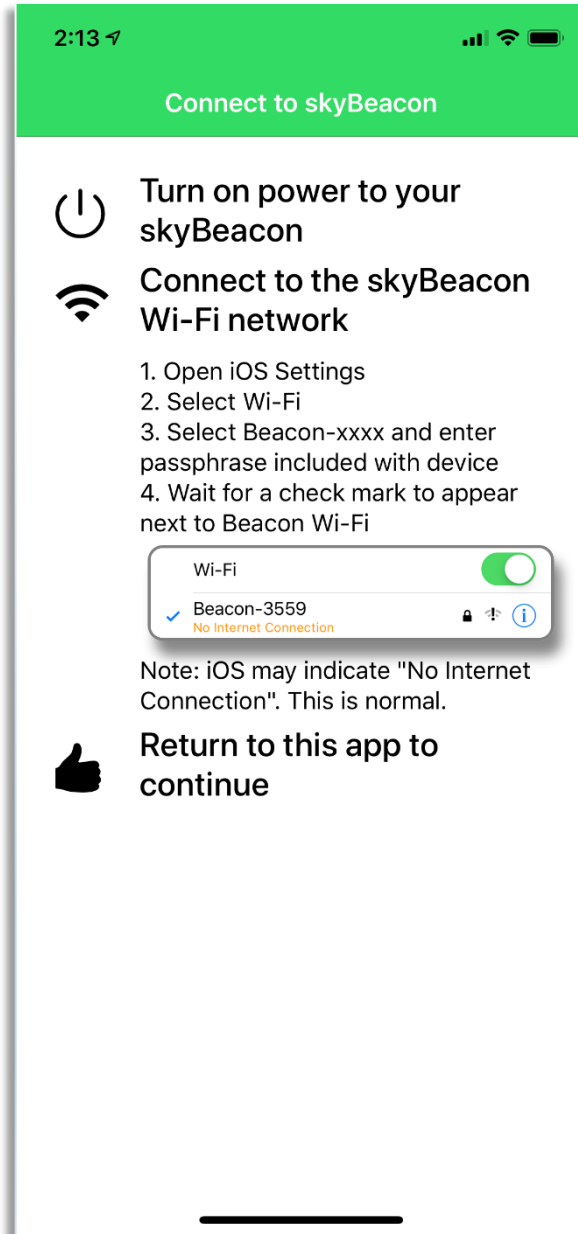
10.1 Connect to tailBeacon Wi-Fi

Launch the “skyBeacon Installer” app and follow instructions to connect to the tailBeacon for configuration.

The SSID of the tailBeacon is in the form Beacon-xxxx, for example Beacon-7782.

The tailBeacon Wi-Fi connection is secure. The WPA2 passphrase is written on an inclusion in your package, and should be entered exactly as printed. WPA2 passphrases are case sensitive.

Keep the inclusion containing Wi-Fi information in a safe place, preferably with your aircraft records.



10.2 Configuration

10.2.1 Configure

The configure screen provides all configuration options.



Anonymous Mode:

When checked, this enables the tailBeacon to transmit a self-assigned (random) ICAO and non-identifying Call Sign when the squawk code matches the defined VFR squawk code (1200). When enabled, the operator will not be eligible to receive ATC services.

Call Sign:

The CALL SIGN can be up to an 8-digit code that corresponds to the tail number of the aircraft. (0-9, A-Z). Note: This is typically your aircraft N-number (e.g. N8644B), unless otherwise advised by the FAA or ATC.

ICAO Number:

The ICAO address is a 24-bit number issued to the aircraft by the registration authority of the aircraft. These addresses are usually written as a 6-digit hexadecimal number.

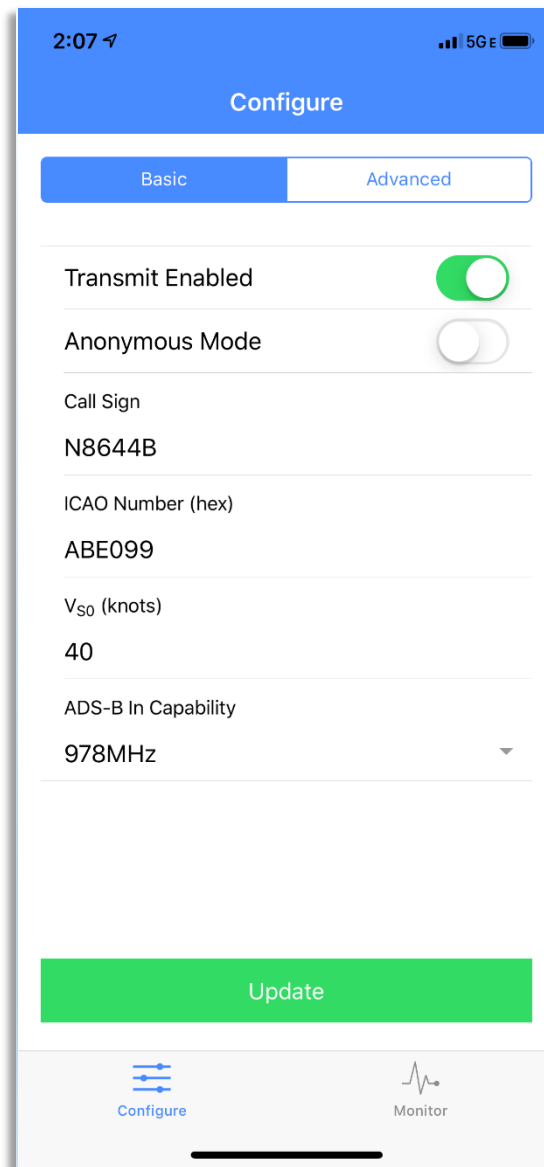
Vso (knots):

This parameter allows tailBeacon to automatically switch between airborne and ground modes and should be set to the aircraft stall speed. For rotorcraft, set to 0.

ADS-B In Capability:

Sets the ADS-B In equipment capability reporting. This is used to indicate the existing aircraft configuration.

Tap “Update” when complete.



Position Light:

Sets the position light on or off.

Emitter Type:

To assist ATC tracking of aircraft, an aircraft category can be transmitted. Select the aircraft category that most closely matches the aircraft.

Aircraft Length:

Enter the aircraft Length in Meters.

Aircraft Width:

Enter the aircraft width in Meters.

GPS Antenna Offset (Lateral):

Enter the position of tailBeacon relative to the center of the aircraft Roll axis in Meters.

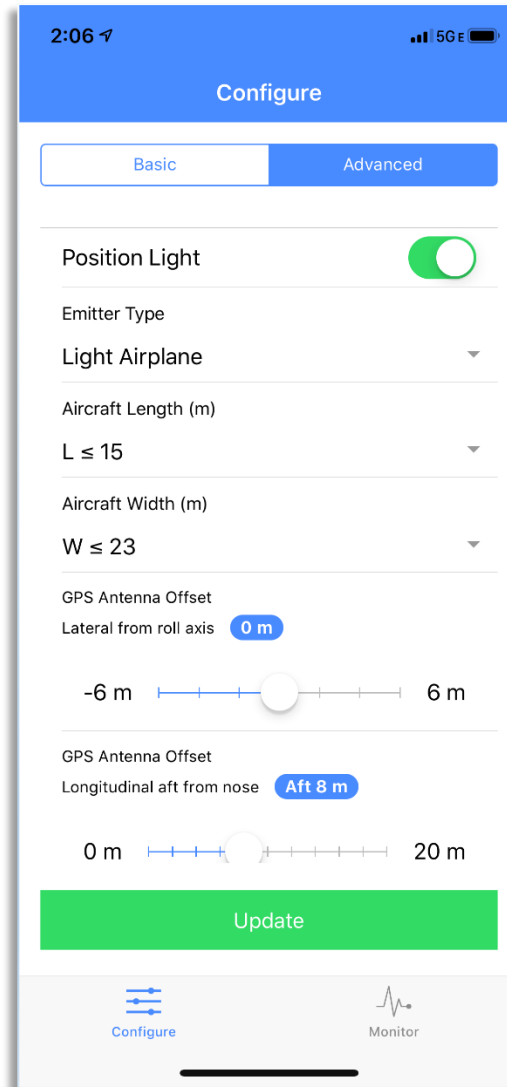
GPS Antenna Offset (Longitudinal):

Enter the position of tailBeacon relative to the nose of the aircraft in Meters.

Transponder Monitor Threshold:

Adjust this value only if experiencing difficulties with the transponder monitor (squawk and barometric altitude) function, and at the direction of uAvionix Support.

Tap "Update" when complete.



10.3 Post-Installation Checks

Configure tailBeacon before performing system checkouts.

Tab to the “Monitor”  screen on the Installer App.

Verify that Status is listed as “OK”. Information on status annunciations described in Section 0 can be found here.

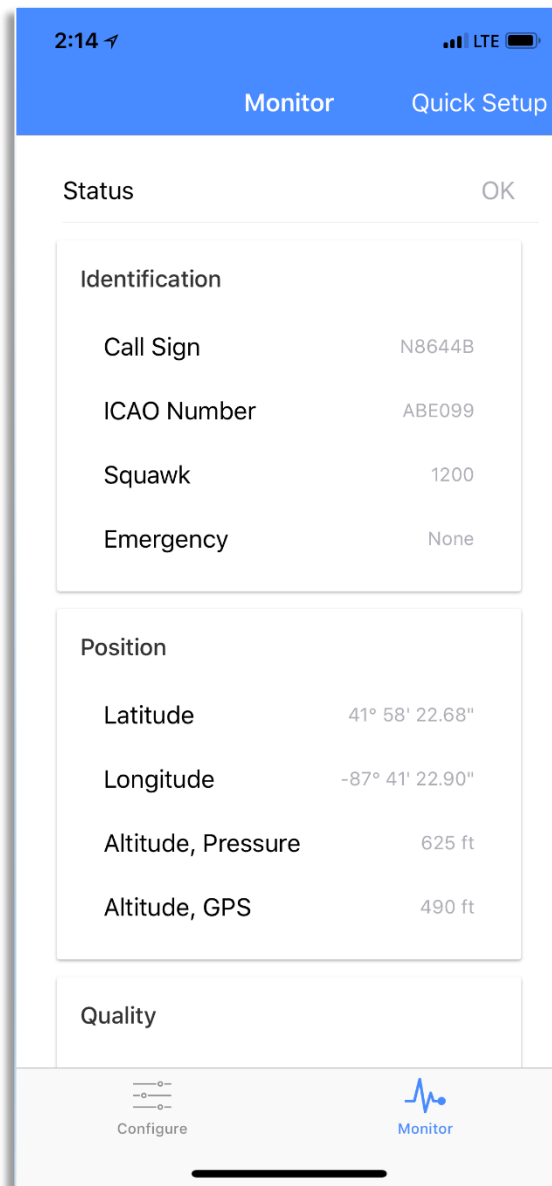
Verify that the Call Sign matches your aircraft’s N-number (including the ‘N’).

Verify that the ICAO number is correct as entered.

Select ALT mode on the Aircraft’s transponder.

In an area of known radar activity or using a ramp tester interrogate the transponder and verify that the Squawk and Pressure Altitude agree with the transponder or known pressure altitude.

With the tailBeacon having a clear view of the sky, allow enough time for the GPS to acquire a fix (typically less than 2 minutes). Verify that the Latitude/Longitude and GPS Altitude agree with the known reference position.



10.4 Post-Flight and Annual Checks

After your first flight with tailBeacon, and every 12 calendar months, perform the following checks.

Tab to the “Monitor”  screen on the Installer App.

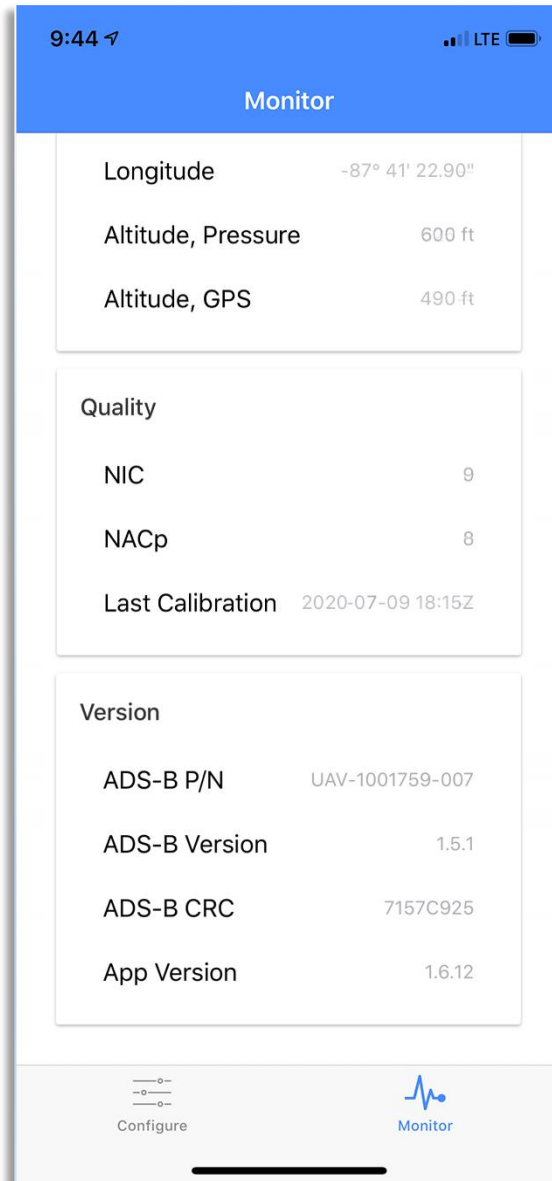
Ensure that the “Last Calibration” field has the UTC date and time of a recent flight recorded. This indicates that Continuous Calibration™ information has updated, and that the integrated altitude encoder is synchronized with your transponder altitude encoder.

If no “Last Calibration” date is listed, or does not match that of a recent flight of significant duration, your transponder may not have been interrogated, the Transponder Monitor Threshold may need to be adjusted, or your transponder may need serviced.

Annually, confirm the displayed “ADS-B P/N” and “ADS-B Version” is current per Service Bulletins listed at:

<https://uavionix.com/support/tailbeacon/>

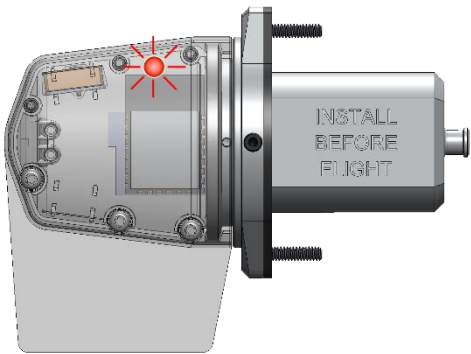
If “ADS-B Version” is not current, apply Service Bulletins as appropriate to update ADS-B software.



11 Normal Operation

tailBeacon must be enabled (turned ON) during all phases of flight including surface movement operations. To ensure tailBeacon is enabled, aircraft power to the position light must remain on.

A red LED annunciator is visible beneath the lens cover on the starboard (when installed) side of the device, as shown below. It indicates the operating status of the tailBeacon.



LED Indication	Meaning
On (Constant)	Device Failure Internal self-test failure Invalid ICAO configured
Blinking (On/off every second)	Function Failure No GPS fix ADS-B broadcast failure
Off	No Failure

12 Support

For additional questions or support please visit:

<https://uavionix.com/support/>

13 Installation Record

Installation of tailBeacon UAV-1002183-001 has been completed.



A copy of this form must be submitted by visiting:

<https://uavionix.com/logbook/>

Date:	By:
Aircraft Information	
Make:	Model:
Serial Number:	Registration Number:
tailBeacon Information	
Serial Number:	Wi-Fi SSID:
Customer Information	
Name:	
Email:	
Telephone:	
Address:	