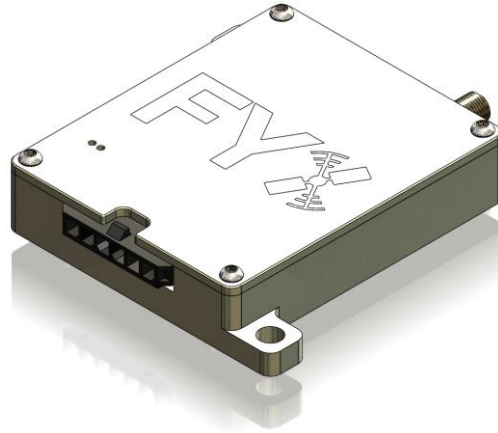


Overview

SkyFYX combines a high precision WAAS GNSS sensor with an integrated RAIM processor. Resilient against jamming, spoofing and GPS range errors—SkyFYX provides reliable navigation in challenging environments. SkyFYX is the most affordable ADS-B rule-compliant position source companion for the echoUAT ADS-B transceiver.

The SkyFYX meets the performance requirements of 14 CFR 91.227. For use in Experimental and LSA aircraft.



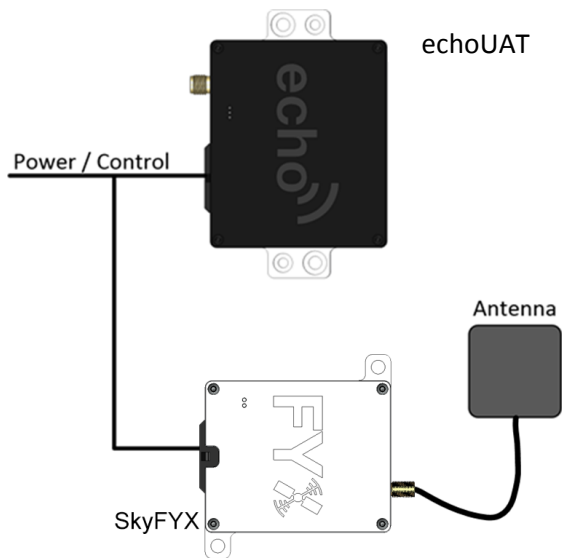
Features

- Performs in low sensitivity or high GPS multipath areas.
- Battery backup fast TTFF.
- Directly connects to EchoUAT transceiver.
- UTC timing output for multiple uses including UAT ADS-B medium synchronization.
- Integrated RAIM processor for Security and Integrity Protection.
- Advanced jamming and spoofing detection.
- Uses SBAS corrections and health messages to detect and correct satellite range errors.
- Satellite pseudo-range step errors detected and excluded.
- SBAS fast and long term corrections applied.
- Patents pending.

Technical Specifications

Specification	Value
Input Power	11-33V DC
Size	61x65x13mm
Weight	36grams
SDA/SIL	2/3
Operating Temp	-45 to 80°C
Sensitivity	
Tracking	-166dBm
Reacquisition	-160dBm
Cold Start	-148dBm
Hot Start	-156dBm
Quality	
SDA	2
SIL	3
NIC	7 – 0.2NM
NACp	11 – EPU < 3meters
NACv	1 – 10 m/s
COM1 Interface	
Protocol	NMEA + RAIM
Physical	RS232 115200bps

Typical Configuration



Connections

Pin	Type	Rate
1	Ground	
2	Power	11-33V
3	RS232 Out	NMEA
Molex 0436450600		

Mechanical Specification

