

Overview

SkyLink is a C-Band (5030-5091 MHz) bi-directional, Multiple Input & Single Output (MISO) dual channel radio system offering UAS operators reliable platform control using aviation-protected spectrum. It fully complies with the RTCA DO-362A standard. SkyLink5060 provides a protocol agnostic autopilot telemetry interface for Command and Control (C2) data, and has built in system status monitoring to meet the requirements of RTCA DO-377A.



Features

- Complies with Category AXS of DO-362A.
- Dynamic transmit power: 10W or 100mW
- Integrated status, integrity, and health monitoring of both local (airborne) and remote (ground) radio systems to meet the requirements for the Data Transfer, Security, and Routing (DTSR) subsystem in RTCA DO-377A.
- Transparent, protocol agnostic, RS232 autopilot telemetry interface.
- UTC synchronized TDD message frame structure
- Connects to SkyStation5060 and SkyStation5060LTE ground radio systems.
- Seamless integration with muLTElink915 multiple link airborne radio system.
- Supported by SkyLine Cloud Managed BVLOS Service.
- Environmental DO-160G
- Software DO-178C Level C
- Complex Hardware DO-254 Level C

Regulatory

- FCC 47 CFR Part 87
 - 2AFFTC2XCPO (in process)

Technical Specifications

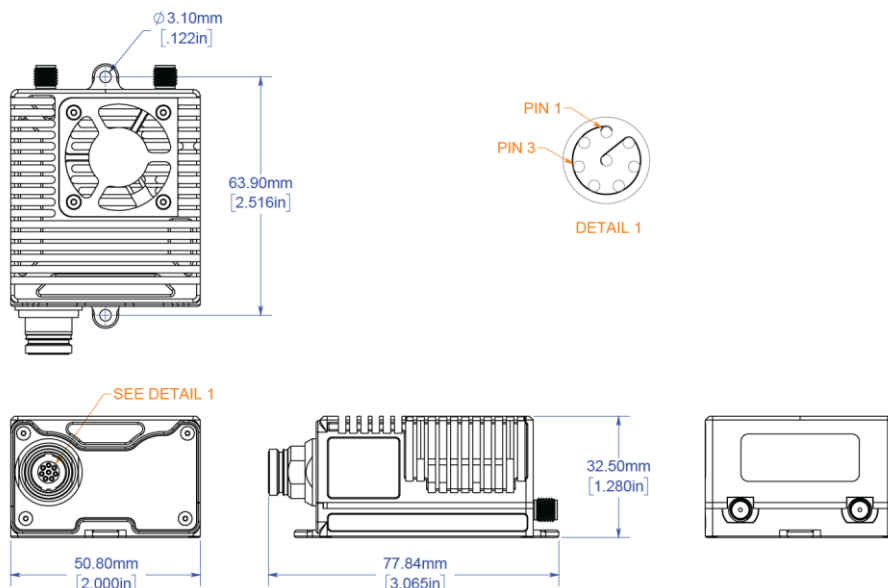
Specification	Value
Input Voltage	24 VDC +/-5%
Power	Nominal – 3.5 W Peak – 26 W
Size	33 x 51 x 78 mm
Weight	125 grams
Operating Temp	-45 to 70°C
Radio	
Band	C-Band: 5030 to 5091 MHz
Transmit Power	10 W / 100 mW switchable
Receiver Sensitivity	-113.5 dBm
Bandwidth	210 kHz
Doppler Capture Range	±12.5 kHz
Data Transmission	
Modulation Symbol Rate	138 kbps 5/8 TCC
User Data Bits (FEC Rate)	3840 Bytes/sec
Timing/Position Input	
UTC	1 PPS Time Pulse
Position	NMEA 0183 115,200 bps
Interface	RS-232
Environmental	
DO-160G	Temperature Cat B2
Part Numbers	
SkyLink5060	UAV-1006082-001
C-Band Omni Antenna	UAV-1006288-001
truFYX EXT GPS	UAV-1004957-001
truFYX INT EXP GPS	UAV-1002500-001
George G3 Autopilot	UAV-1005526-001

The following required statement from the Federal Communications Commission (FCC) applies to United States based entities with the exception of direct sales to the U.S. Government and units directly exported by uAvionix: This device has not been authorized as required by the rules of the Federal Communications Commission. This device is not, and may not be, offered for sale or lease, or sold or leased, until authorization is obtained.

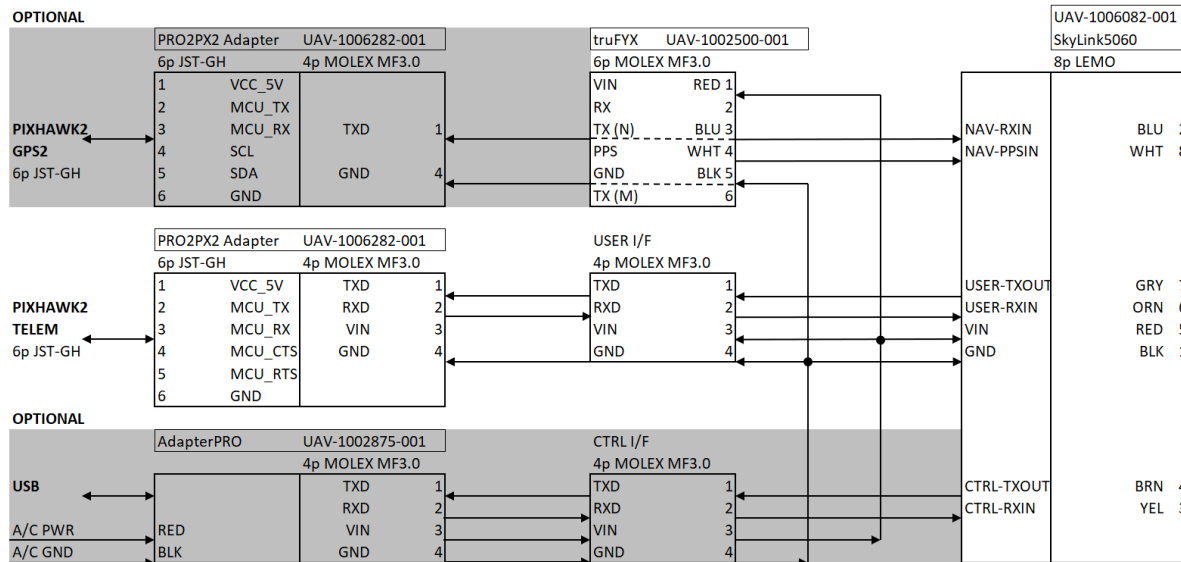
uAvionix reserves the right to alter product, services offerings, specifications, and pricing at any time without notice.

© Copyright 2019 uAvionix, all rights reserved. www.uavionix.com

Mechanical Specifications



Electrical



The following required statement from the Federal Communications Commission (FCC) applies to United States based entities with the exception of direct sales to the U.S. Government and units directly exported by uAvionix: This device has not been authorized as required by the rules of the Federal Communications Commission. This device is not, and may not be, offered for sale or lease, or sold or leased, until authorization is obtained.

uAvionix reserves the right to alter product, services offerings, specifications, and pricing at any time without notice.

© Copyright 2019 uAvionix, all rights reserved. www.uavionix.com