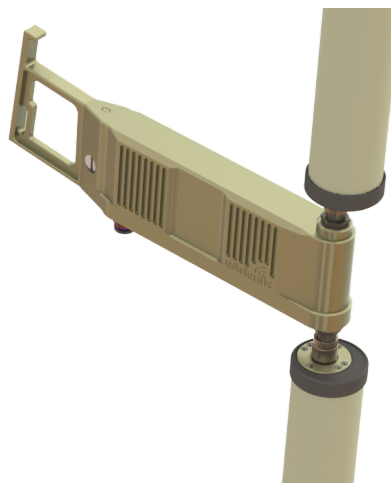


Overview

SkyStation5060POE is an all-weather, network ready C-Band Ground Radio System (GRS) suitable for permanent installation on a tower. Integrated POE++ power supply and included pole mounting kit minimizes the complexity of large scale GRS deployment. SkyStation5060POE integrates seamlessly with uAvionix SkyLine Cloud Managed BVLOS Service including automatic registration.



Features

- Integrated C-Band (5030-5091 MHz) ground radio system.
- Integrated GPS receiver.
- IP67-Grade enclosure.
- Directional 12 dBi gain antennas with 110 degree beam.
- Includes pole mounting kit.
- Automatic GRS registration with SkyLine Cloud Managed BVLOS Service.
- Ethernet reprogramming and configuration interface.

Regulatory

- FCC 47 CFR Part 15.247
ID: 2AFFTC2XCP0 (in process)

Technical Specifications

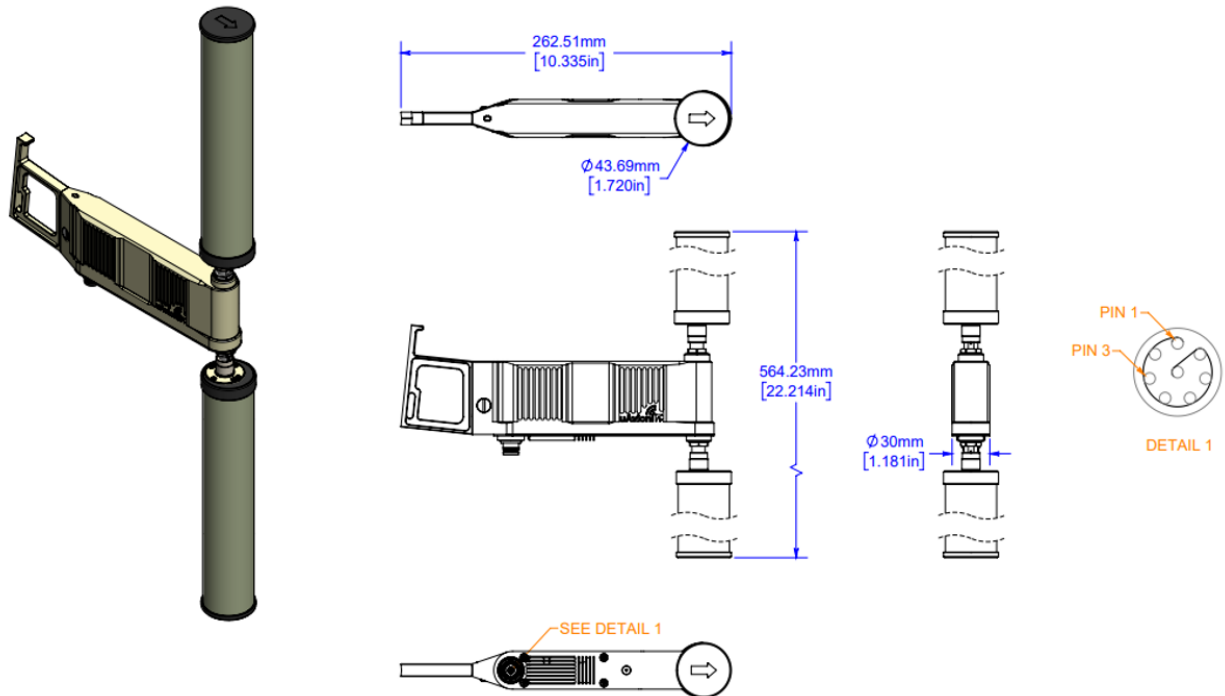
Parameter	Value
Input Power	POE++ 65W Peak
Size	42 x 264 x 746 mm
Weight	225 grams
Operating Temp	-45 to 70°C
ISM Band Radio	
Band	C-Band: 5030 to 5091 MHz
Transmit Power	10 W
Receiver Sensitivity	-113.5 dBm
Bandwidth	210 kHz
Doppler Capture Range	±12.5 kHz
Antenna Gain	12 dBi
External Interfaces	
Ethernet	
Interface	M12 X-Coded Ethernet
Protocols	HTTP, TCP
Environmental	
DO-160G	Temperature Cat B2

The following required statement from the Federal Communications Commission (FCC) applies to United States based entities with the exception of direct sales to the U.S. Government and units directly exported by uAvionix: This device has not been authorized as required by the rules of the Federal Communications Commission. This device is not, and may not be, offered for sale or lease, or sold or leased, until authorization is obtained.

uAvionix reserves the right to alter product, services offerings, specifications, and pricing at any time without notice.

© Copyright 2022 uAvionix, all rights reserved. www.uavionix.com

Mechanical Specification



The following required statement from the Federal Communications Commission (FCC) applies to United States based entities with the exception of direct sales to the U.S. Government and units directly exported by uAvionix: This device has not been authorized as required by the rules of the Federal Communications Commission. This device is not, and may not be, offered for sale or lease, or sold or leased, until authorization is obtained.

uAvionix reserves the right to alter product, services offerings, specifications, and pricing at any time without notice.

© Copyright 2022 uAvionix, all rights reserved. www.uavionix.com